

ZF 5HP18



Automatic Transmission Spare Parts Catalog



Warranty Information

Warranty coverage for ZF passenger car transmission spare parts and kits covers the first 12 months after installation in the vehicle, or 24 months after purchase from ZF Industries, Inc.

Warranty of the product is limited to replacement or repair, if found to be defective in ZF material or workmanship, and specifically does not cover removal, reinstallation, or any costs incidental to the repair of the vehicle, or any kind of consequential damages.

All warranty and/or non-warranty returns must be approved.

Disclaimer

The specifications and information shown in this catalog have been compiled from accepted and reliable sources and is believed to be accurate at the time of publication. While ZF Industries, Inc. believes this information is correct, no guarantee or warranty is made as to the accuracy of the information and ZF Industries, Inc. cannot and does not accept or assume any responsibilities for errors, omissions, or consequential harm or damages. Replacement parts should not be used when they do not appear to fit. ZF Industries, Inc. disclaims all liability and responsibility for any harm resulting from any such modifications.

Copyright

Printed in USA – Copyright © 2003 ZF Industries, Inc.

No part of this publication may be reproduced, stored in a retrieval system, or transmitted, in any form or by any means, electronic, mechanical, photocopying, recording, or otherwise, without prior written permission of ZF Industries, Inc.

Distributed By





Table of Contents

5HP18 Transmission Overview (North American Applications)	
Make / Model / Model Year	2
5HP18 Technical Information	
Torque, Gear Ratio & Weight	2
Transmission Oil Reference Guide	2
5HP18 Lubrications	2
5HP18 Technical Literature	3
5HP18 General Transmission Oil Filling Procedure	3
5HP18 Spare Parts	
How To Use This Catalog	5
Gearbox Housing Group	6
Oil Supply Group	7
Output Group	8
Converter Group	9
Planetary Drive Groups	10
Clutch Pack Groups	12
Oil Sump Group	19
5HP18 Valve Body	
Duct Plate Group	20
Valve Housing Groups	22
5HP18 Selective Shims, Snap Rings & Kit Content	
5HP18 Selective Shims & Snap Rings	28
5HP18 Kit Content	32
Miscellaneous	
Quotation / Order Form	37
Notes	38



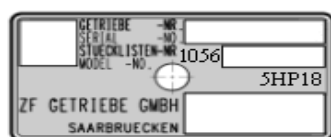
5HP18 Transmission Overview (North American Applications)

Make / Model / Model Year

Make	Model	Style	Model Year	From – Up to	Code	OE Part #	ZF Part #
BMW	320i	E36 Sedan	1992 – 1995		LW	24 00 1 219 955	1056 000 081
BMW	530i	E34 Sedan	1992 – 1993	– 07/93	MG	24 00 1 421 214	1056 000 087
			1993 – 1995	07/93 –	MN	24 00 1 421 411	1056 000 088
BMW	530i	E34 Touring	1992 – 1993	– 07/93	MG	24 00 1 421 214	1056 000 087
			1993 – 1995	07/93 –	MN	24 00 1 421 411	1056 000 088
BMW	M3	E36 Coupe	1993 – 1996		OK	24 00 1 421 946	1056 000 097
BMW	M3 3.2	E36 Convertible	1997 – 1999		RE	24 00 2 228 375	1056 000 099

Note: This spare parts catalog includes only transmission specification numbers for North American applications. For all other 5HP18 transmission specification numbers, please contact your preferred ZF passenger car transmission distributor for more information about available spare parts and kits.

Type Plate: Located on the main housing of transmission. Please refer to ZF transmission specification # when searching for spare parts and kits in this catalog (last three digits).



- ← Transmission Serial #
- ← ZF Transmission Specification #
- ← Vehicle Manufacturer Transmission #

5HP18 Technical Information

Torque, Gear Ratio & Weight

Input Torque	1 st Gear	2 nd Gear	3 rd Gear	4 th Gear	5 th Gear	Rev Gear	Weight (approximate)	Oil Capacity (approximate)
310 Nm	3.66	2.00	1.41	1.00	0.74	4.08	~75 kg (165 lbs.)	~10.5 liter (11.1 quart)

Transmission Oil Reference Guide

Make	Oil Grade	Type Plate (color)	ZF Part #	OE Part #
BMW	Dexron III	Black	1056 000 081	24 00 1 219 955
			1056 000 087	24 00 1 421 214
			1056 000 088	24 00 1 421 411
BMW	ESSO LT 71141	Green	1056 000 097	24 00 1 421 946
			1056 000 099	24 00 2 228 375

5HP18 Lubrications

Amount	ZF Part #	Description	Where used (1056 000 ____)	Notes
20 Liter	0671 090 166	Oil ESSO LT 71141 (Canister)	097/099	
205 Liter	0671 090 169	Oil ESSO LT 71141 (Drum)	097/099	

Note: For approved Dexron III lubricants, please see the current ZF lubrication list TE-ML 11.



5HP18 Technical Information (continued)

5HP18 Technical Literature

Language	ZF Part #	Description	Where used (1056 000 ___)	Notes
English	5HP18FD	5HP18 Functional Description	All	
English	5HP18REP	5HP18 Repair Manual	All	
English	AAAAZFS018	5HP18 Wall Chart	All	
English	5HPVBMAN	5-Speed Valve Body Manual	All	

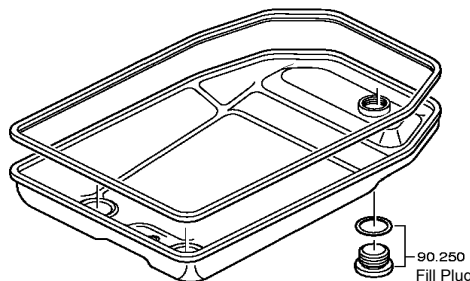
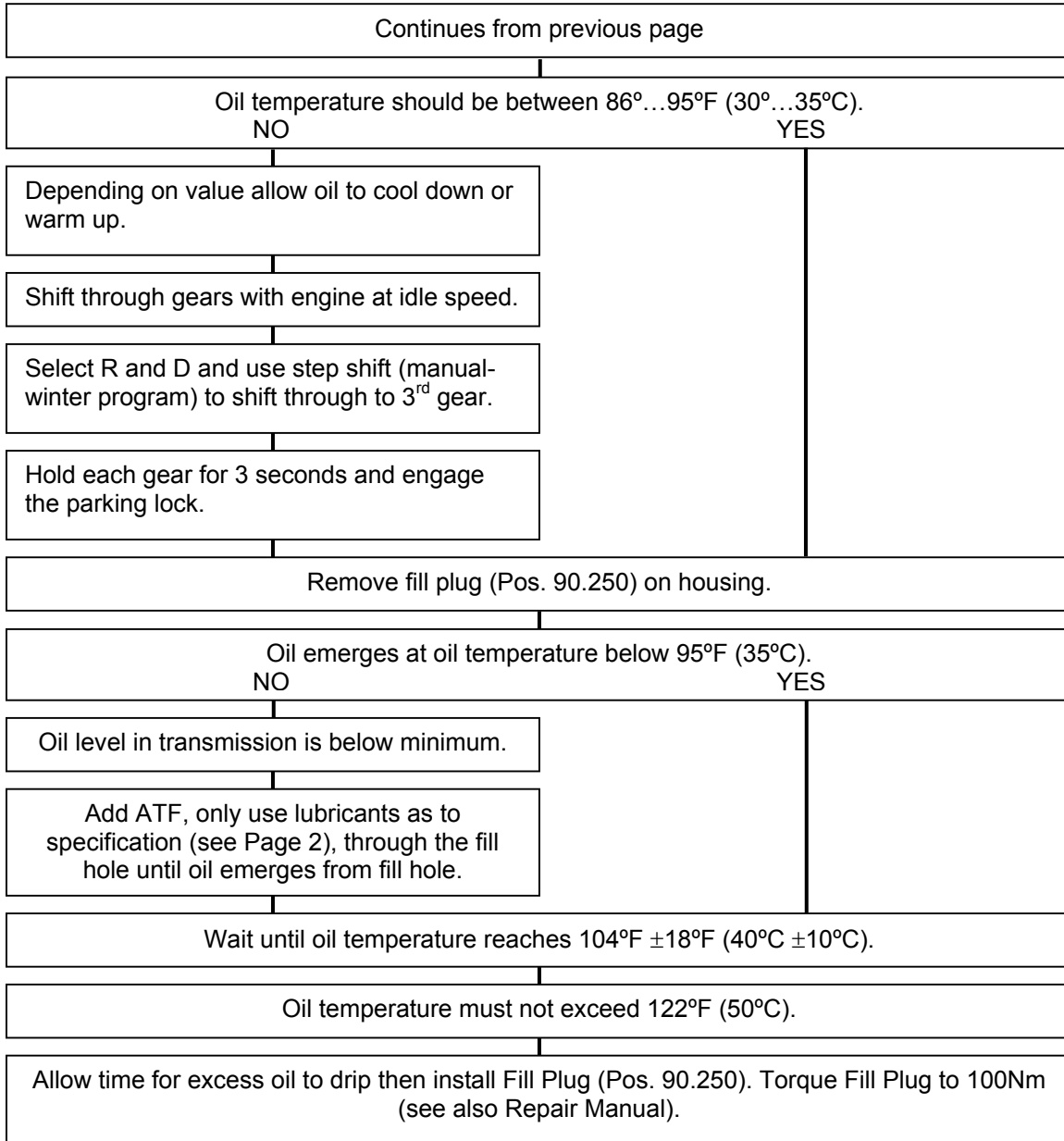
5HP18 General Transmission Oil Filling Procedure

Position vehicle horizontally on hoist and apply the handbrake.
Connect tester to read off transmission oil temperature and engine speed.
With the engine stopped, add ATF, only use lubricants as to specification (see Page 2), through the fill hole until oil emerges from fill hole. Install Fill Plug (Pos. 90.250).
Start the engine (large consumers, such as A/C should be switched on).
Shift through gears with engine running at idle speed.
Select R and D and use step shift (manual-winter program) to shift through to 3 rd gear.
Hold each gear for 3 seconds and engage the parking lock.
Idle speed should be $n_{eng} = 650 \dots 950$ rpm (according to vehicle manufacturer's directive).
Continues on next page



5HP18 Technical Information (continued)

5HP18 General Transmission Oil Filling Procedure (continued)





How To Use This Catalog

Table of Contents

Each transmission group of this catalog is listed in the table of contents. This spare parts catalog includes only transmission specification numbers for North American applications.

Technical Information

All technical information is specific to the transmission models that are referenced in this catalog. Weight and oil capacity information are only approximate and may vary by actual transmission specification. For any technical inquiry, please contact your preferred ZF passenger car transmission distributor for assistance. For a list of technical literature available from ZF or for answers to frequently asked questions about ZF transmissions visit us at www.zf-group.com.

Spare Parts

Each transmission is divided into groups (e.g. gearbox housing group). The position number (**Pos #**) is used to identify the location of each spare part in the transmission. A position number like 01.010 is either a spare part or an assembly. A position number like 01.010/110 is a subcomponent of an assembly. Please contact your preferred ZF passenger car transmission distributor about availability of assemblies and subcomponents.

The part number (**ZF part #**) is used to identify a specific spare part and is usually ten-digits (kits, lubricants, and technical literature have exceptions). Please use this part number, when ordering ZF spare parts.

The description (**Description**) identifies the spare part.

The quantity (**Qty**) is the amount of spare parts included in one transmission model for a certain position number. The quantity may vary depending on the transmission specification and certain spare parts may be used in multiple positions in the transmission.

This catalog includes only spare parts for North American specifications of a ZF transmission application. The “where used” column (**Where used (10_ 000 __)**) shows the last three digits of the transmission specification that uses the listed spare part. If the column indicates “All”, then all North American transmission specification use this spare part.

The notes column (**Notes**) gives more information about the spare part (e.g. included in a kit).

Example:

Pos #	ZF Part #	Description	Qty	Where used (1056 000 __)	Notes
01.010	1056 201 084	Gearbox Housing	1	087/088	
	1056 201 087	Gearbox Housing	1	081	
01.010/110	1056 301 174	Gearbox Housing	1	087/088	
	1056 301 175	Gearbox Housing	1	081	

Selective Shims, Snap Rings & Kit Content

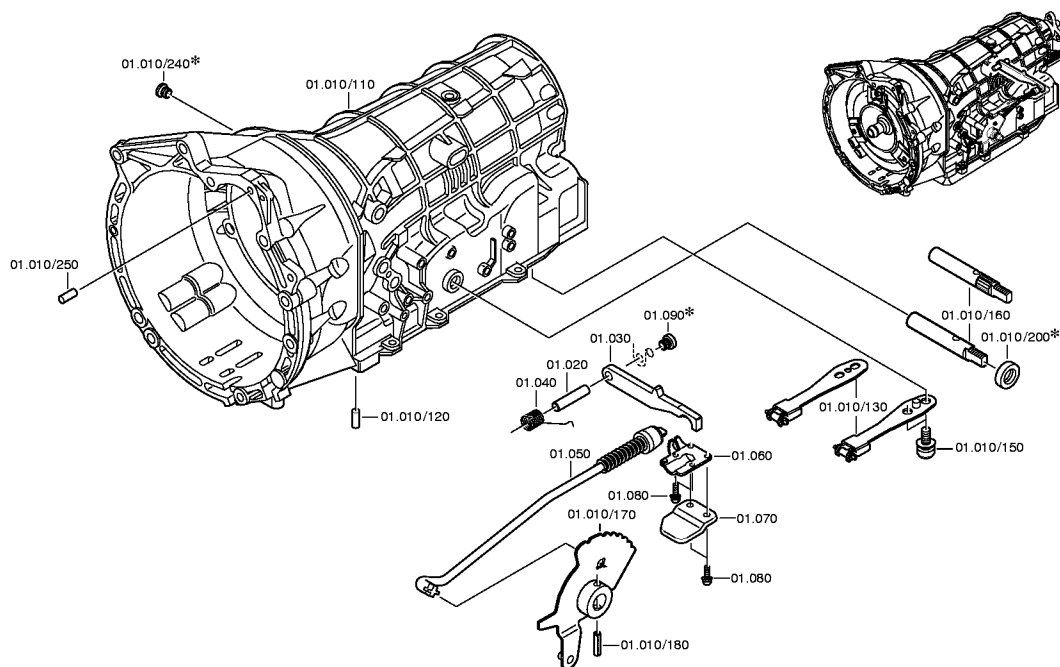
Each list for selective shims or snap rings is listed in this section of the catalog. Please measure the clearance according to the repair manual and select the required spare part from the table.

The kit content section shows all available kits for the transmission models that are referenced in this catalog, including the content of each kit.



5HP18 Spare Parts - Gearbox Housing Group

Pos #	ZF Part #	Description	Qty	Where used (1056 000 ___)	Notes
01.010	1056 201 084	Gearbox Housing	1	087/088	
	1056 201 087	Gearbox Housing	1	081	
	1056 201 088	Gearbox Housing	1	099	
	1056 201 090	Gearbox Housing	1	097	
01.010/110	1056 301 174	Gearbox Housing	1	087/088	
	1056 301 175	Gearbox Housing	1	081	
	1056 301 181	Gearbox Housing	1	099	
	1056 301 182	Gearbox Housing	1	097	
01.010/120	0631 306 045	Cylindrical Pin M6x16	1	All	
01.010/130	1055 206 013	Detent Spring	1	All	
01.010/150	0736 101 240	Torx Screw M6x13	2	All	
01.010/160	1056 306 021	Selector Shaft	1	All	
01.010/170	1055 206 012	Detent Disc	1	All	
01.010/180	0501 320 396	Clamping Sleeve	1	All	
01.010/200	0734 319 623	Shaft Seal	1	All	* Available in kit 1056 298 062
01.010/240	0501 318 572	Screw Plug M10x1	1	All	* Available in kit 1056 298 062
01.010/250	0631 306 123	Cylindrical Pin	1	081/097/099	
01.020	1056 324 018	Pin	1	All	
01.030	1056 324 011	Pawl	1	All	
01.040	1056 324 005	Leg Spring	1	All	
01.050	1056 224 014	Connecting Bar	1	All	
01.060	1056 324 016	Guiding Plate	1	All	
01.070	1056 324 019	Cover Sheet	1	All	
01.080	0736 101 318	Torx Screw M6x20	4	All	
01.090	0636 308 015	Screw Plug M12x1.5	1	All	* Available in kit 1056 298 062

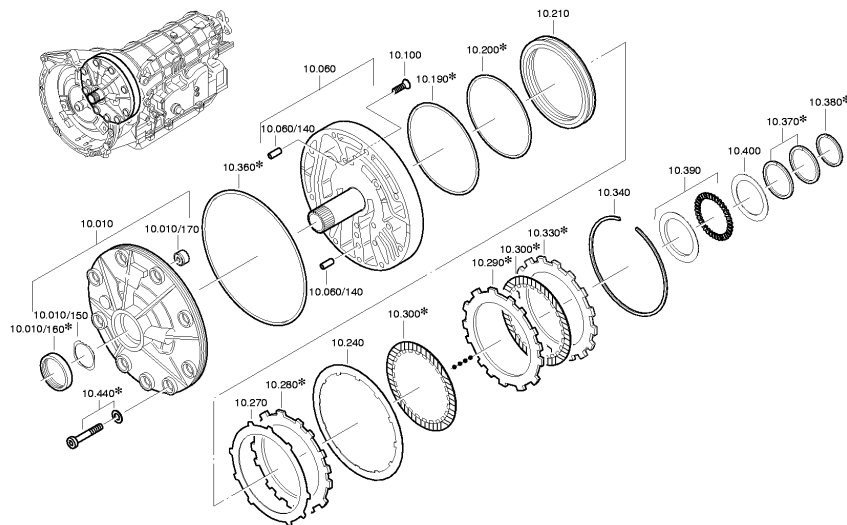


Note: Parts marked with * are only available in kits.



5HP18 Spare Parts - Oil Supply Group

Pos #	ZF Part #	Description	Qty	Where used (1056 000 ___)	Notes
10.010	1056 210 142	Pump	1	All	
10.010/150	1043 319 051	Washer	1	All	
10.010/160	0750 111 254	Shaft Seal	1	All	* Available in kit 1056 298 062
10.010/170	1056 210 143	Valve	1	All	
10.060	1056 210 118	Intermediate Plate	1	081	
	1056 210 119	Intermediate Plate	1	087/088/097/099	
10.060/140	0731 201 555	Cylindrical Pin	2	All	
10.100	0736 401 051	Counters. Screw M6x18	9	All	
10.190	0734 313 006	O-Ring	1	All	* Available in kit 1056 298 062
10.200	0734 313 117	O-Ring	1	All	* Available in kit 1056 298 062
10.210	1056 310 013	Piston	1	All	
10.240	1050 331 021	Cup Spring	1	All	
10.270	1043 302 036	Spring Clutch Disc	1	All	
10.280	1043 302 092	End Plate C	1	All	* Available in kit 1056 298 064 * Available in kit 1056 298 065
10.290	1043 302 021	Steel Plate C	2	081	* Available in kit 1056 298 064
	1043 302 021	Steel Plate C	3	087/088/097/099	* Available in kit 1056 298 064 * Available in kit 1056 298 065
10.300	1056 210 053	Friction Plate C	3	081	* Available in kit 1056 298 063
	1056 210 053	Friction Plate C	4	087/088/097/099	* Available in kit 1056 298 063
10.330	0301 302 004	End Plate C	1	All	* Available in kit 1056 298 064 * Available in kit 1056 298 065
10.340	See Page 28	Clutch C Snap Ring	1	All	Selective Snap Ring
10.360	0734 313 064	O-Ring	1	All	* Available in kit 1056 298 062
10.370	0750 113 015	Piston Ring	2	All	* Available in kit 1056 298 062
10.380	0750 113 029	Piston Ring	1	All	* Available in kit 1056 298 062
10.390	1056 210 132	Bearing Set	1	All	
10.400	See Page 28	Intermediate Plate Shim	1	All	Selective Shim
10.440	0736 101 171	Torx Screw M6x50	9	All	
	0750 112 076	Usit Ring	9	All	* Available in kit 1056 298 062

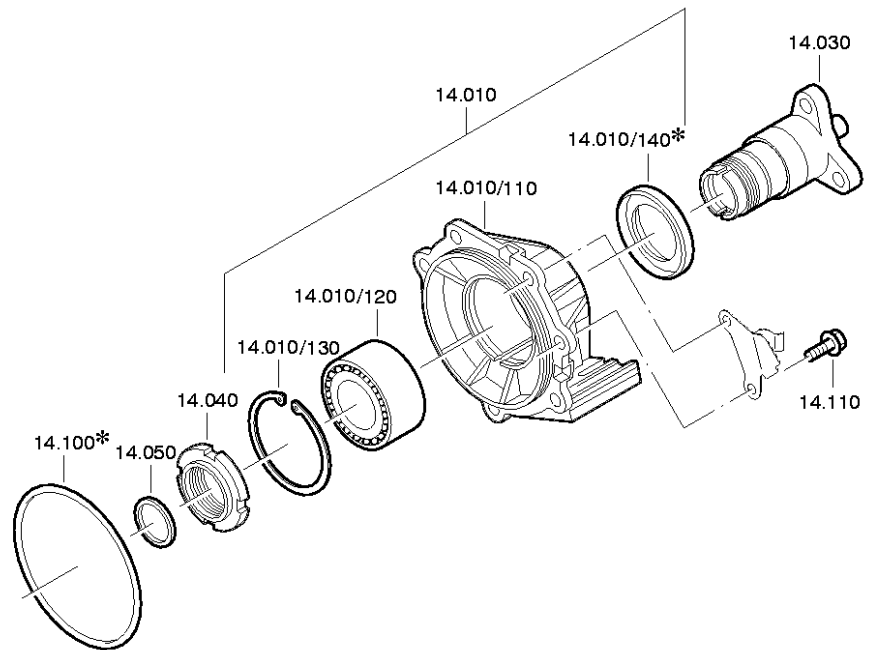
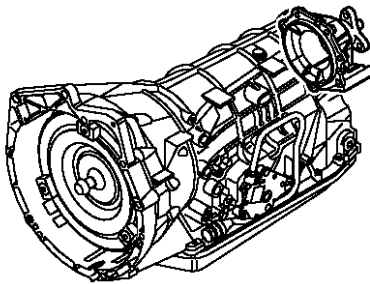


Note: Parts marked with * are only available in kits.



5HP18 Spare Parts – Output Group

Pos #	ZF Part #	Description	Qty	Where used (1056 000 ___)	Notes
14.010	1056 214 006	Extension	1	087/088/097/099	
	1056 214 029	Extension	1	081	
14.010/110	1056 314 044	Extension	1	All	
14.010/120	0750 116 119	Ball Bearing	1	All	
14.010/130	0630 502 037	Retaining Ring	1	All	
14.010/140	0734 319 607	Shaft Seal	1	All	* Available in kit 1056 298 062
14.030	1056 214 020	Output Flange	1	081	
	1060 214 005	Output Flange	1	087/088/097/099	
14.040	0737 502 168	Slotted Nut M40x1.5	1	All	
14.050	See Page 28	Output Shim	1	All	Selective Shim
14.100	0734 313 083	O-Ring	1	All	* Available in kit 1056 298 062
14.110	0636 024 009	Hexagon Screw M8x22	7	All	

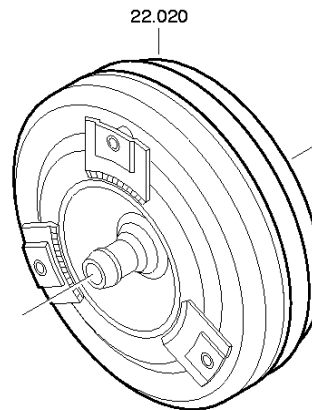
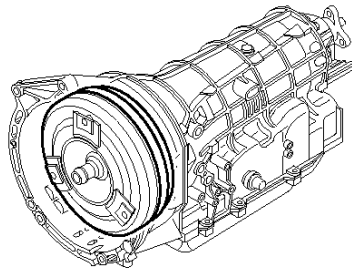


Note: Parts marked with * are only available in kits.



5HP18 Spare Parts – Converter Group

Pos #	ZF Part #	Description	Qty	Where used (1056 000 ___)	Notes
22.020	4168 023 066	Torque Converter Y12	1	081	
	4168 026 235	Torque Converter A11	1	087	
	4168 026 321	Torque Converter E18	1	088	
	4168 026 349	Torque Converter O21	1	097	
	4168 026 361	Torque Converter B26	1	099	

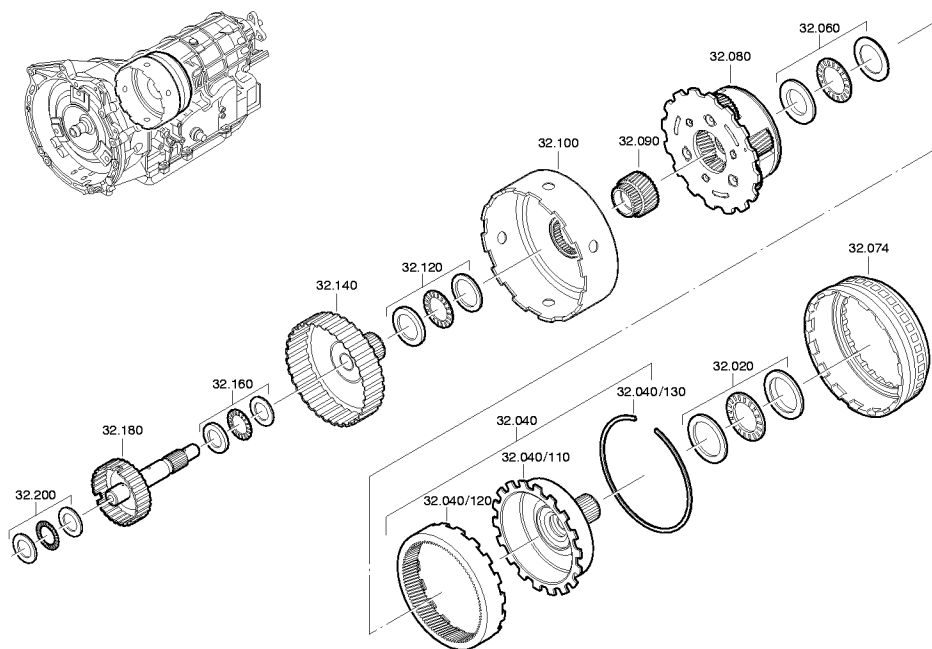


Note: Parts marked with * are only available in kits.



5HP18 Spare Parts – Planetary Drive Groups

Pos #	ZF Part #	Description	Qty	Where used (1056 000 ___)	Notes
32.020	1056 232 105	Bearing Set	1	All	
32.040	1056 232 089	Shaft	1	All	
32.040/110	1056 232 085	Shaft	1	All	
32.040/120	1056 332 037	Ring Gear	1	All	
32.040/130	0730 513 330	Snap Ring	1	All	
32.060	1056 232 104	Bearing Set	1	All	
32.074	1056 232 079	Spider Clutch Bell	1	All	
32.080	1056 232 116	Planet Carrier	1	All	
32.090	1056 232 045	Sun Gear	1	All	
32.100	1050 231 038	Pot	1	All	
32.120	1056 232 103	Bearing Set	1	All	
32.140	1060 202 001	Sun Gear Shaft	1	All	
32.160	1056 232 101	Bearing Set	1	All	
32.180	1056 232 071	Intermediate Shaft	1	All	
32.200	1056 232 099	Bearing Set	1	All	

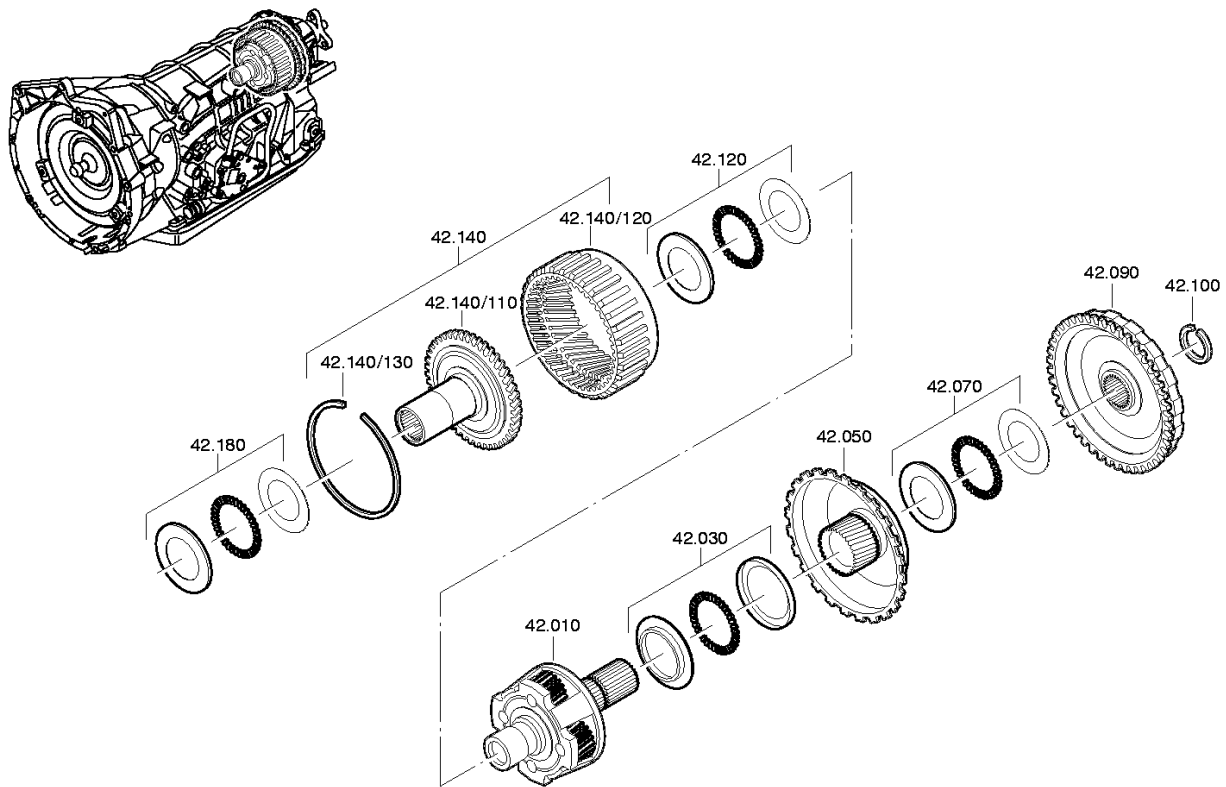


Note: Parts marked with * are only available in kits.



5HP18 Spare Parts – Planetary Drive Groups (continued)

Pos #	ZF Part #	Description	Qty	Where used (1056 000 ___)	Notes
42.010	1060 242 010	Planet Carrier	1	All	
42.030	1056 242 039	Bearing Set	1	All	
42.050	1056 232 083	Sun Gear	1	All	
42.070	1056 242 038	Bearing Set	1	All	
42.090	1056 242 016	Parking Lock Wheel	1	All	
42.100	0630 513 031	Snap Ring	1	All	
42.120	1056 242 038	Bearing Set	1	All	
42.140	1056 242 041	Ring Gear	1	All	
42.140/110	1056 242 017	Ring Gear Carrier	1	All	
42.140/120	1056 332 010	Ring Gear	1	All	
42.140/130	1056 332 012	Snap Ring	1	All	
42.180	1056 242 038	Bearing Set	1	All	

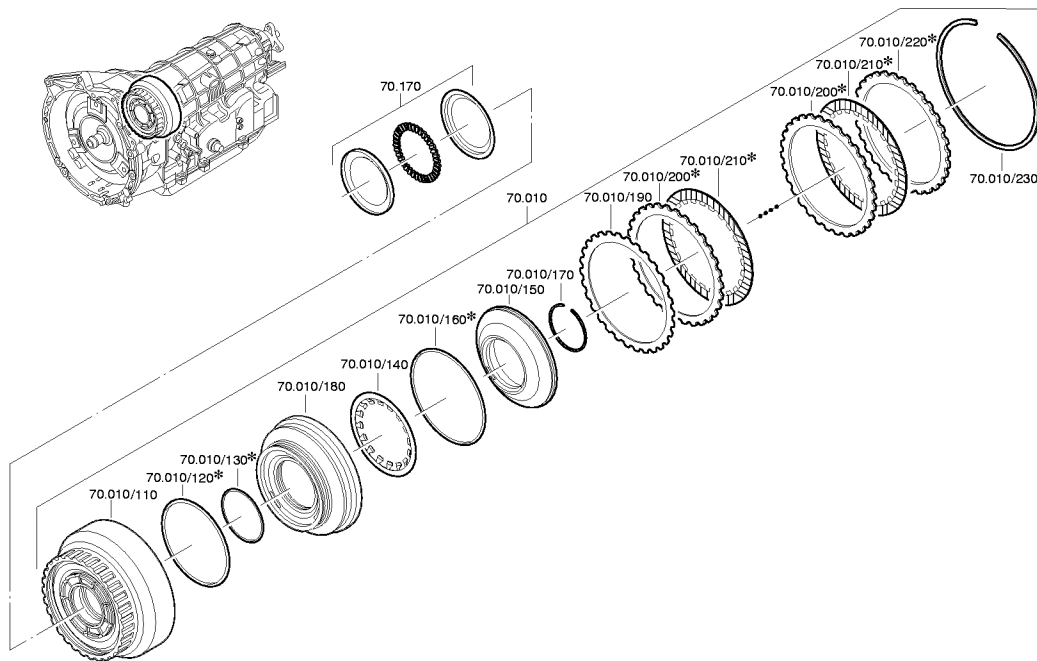


Note: Parts marked with * are only available in kits.



5HP18 Spare Parts – Clutch Pack Groups

Pos #	ZF Part #	Description	Qty	Where used (1056 000 ___)	Notes
70.010	1056 270 028	Cylinder A	1	081	
	1056 270 029	Cylinder A	1	087/088	
	1056 270 039	Cylinder A	1	097/099	
70.010/110	1056 370 014	Cylinder A	1	087/088/097/099	
	1056 370 015	Cylinder A	1	081	
70.010/120	0734 313 014	O-Ring	1	All	* Available in kit 1056 298 062
70.010/130	0734 313 029	O-Ring	1	All	* Available in kit 1056 298 062
70.010/140	0501 312 904	Cup Spring	1	All	
70.010/150	1050 302 007	Oil Dam	1	All	
70.010/160	0734 313 017	O-Ring	1	All	* Available in kit 1056 298 062
70.010/170	0730 513 289	Snap Ring	1	All	
70.010/180	1050 302 033	Piston	1	All	
70.010/190	1056 370 009	Spring Clutch Disc	1	All	
70.010/200	1050 302 011	Steel Plate A	4	081	* Available in kit 1056 298 064
	1050 302 011	Steel Plate A	5	087/088	* Available in kit 1056 298 064
	1060 370 002	Steel Plate A	5	097/099	* Available in kit 1056 298 065
70.010/210	1050 202 002	Friction Plate A	4	081	* Available in kit 1056 298 063
	1050 202 002	Friction Plate A	5	087/088/097/099	* Available in kit 1056 298 063
70.010/220	1050 302 013	End Plate A	1	081/087/088	* Available in kit 1056 298 064
	1060 370 003	End Plate A	1	097/099	* Available in kit 1056 298 065
70.010/230	See Page 29	Clutch A Snap Ring	1	All	Selective Snap Ring
70.170	1056 272 052	Bearing Set	1	All	

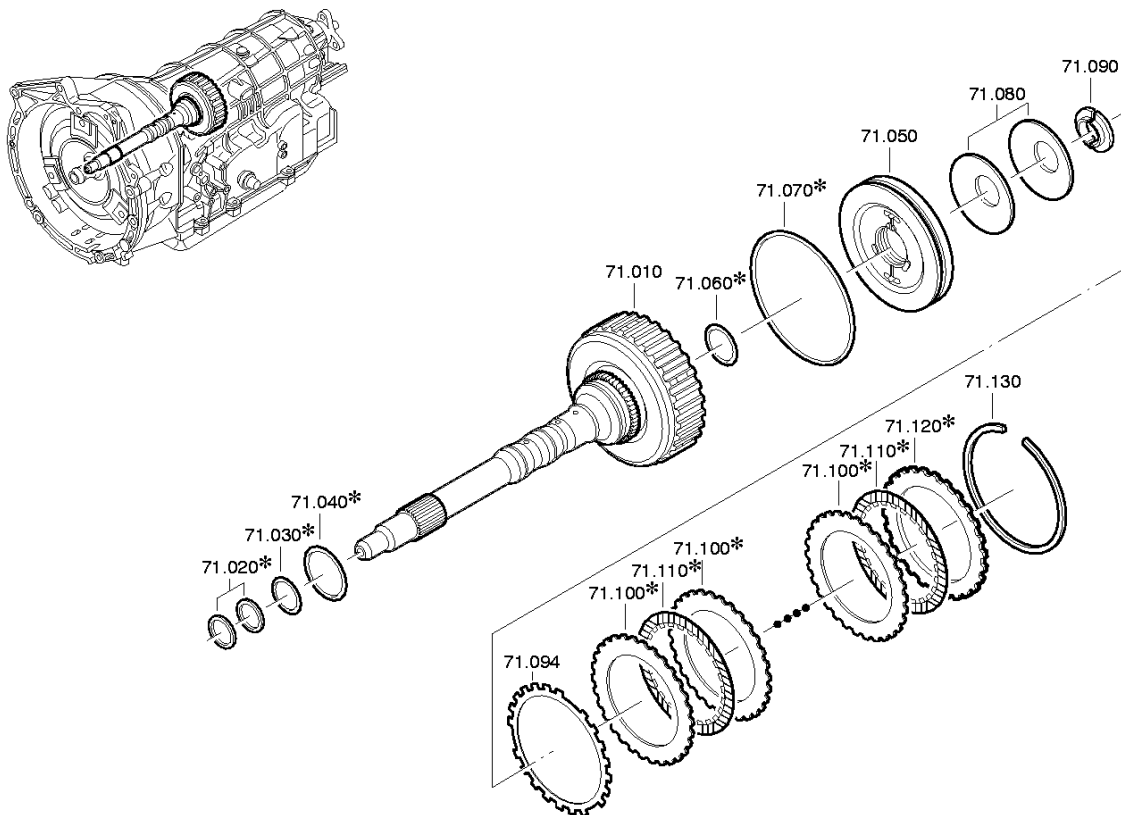


Note: Parts marked with * are only available in kits.



5HP18 Spare Parts – Clutch Pack Groups (continued)

Pos #	ZF Part #	Description	Qty	Where used (1056 000 ___)	Notes
71.010	1056 271 045	Input Shaft	1	All	
71.020	0734 317 256	Piston Ring	2	All	* Available in kit 1056 298 062
71.030	0734 317 190	Sealing Ring	1	All	* Available in kit 1056 298 062
71.040	0734 313 213	O-Ring	1	All	* Available in kit 1056 298 062
71.050	1056 271 039	Piston	1	081	
	1056 271 040	Piston	1	087/088	
	1056 271 043	Piston	1	097/099	
71.060	0734 313 020	O-Ring	1	All	* Available in kit 1056 298 062
71.070	0734 313 027	O-Ring	1	All	* Available in kit 1056 298 062
71.080	0750 106 014	Cup Spring	2	All	
71.090	1056 371 009	Stop-Ring	1	081	
71.094	0750 140 052	Spring Clutch Disc	1	097/099	
71.100	1050 330 017	Steel Plate E	4	081	* Available in kit 1056 298 064
	1050 330 017	Steel Plate E	5	087/088	* Available in kit 1056 298 064
	1060 371 002	Steel Plate E	5	097/099	* Available in kit 1056 298 065
71.110	1050 230 033	Friction Plate E	4	081	* Available in kit 1056 298 063
	1050 230 033	Friction Plate E	5	087/088/097/099	* Available in kit 1056 298 063
71.120	1056 330 002	End Plate E	1	081/087/088	* Available in kit 1056 298 064
	1060 371 003	End Plate E	1	097/099	* Available in kit 1056 298 065
71.130	See Page 29	Clutch E Snap Ring	1	All	Selective Snap Ring

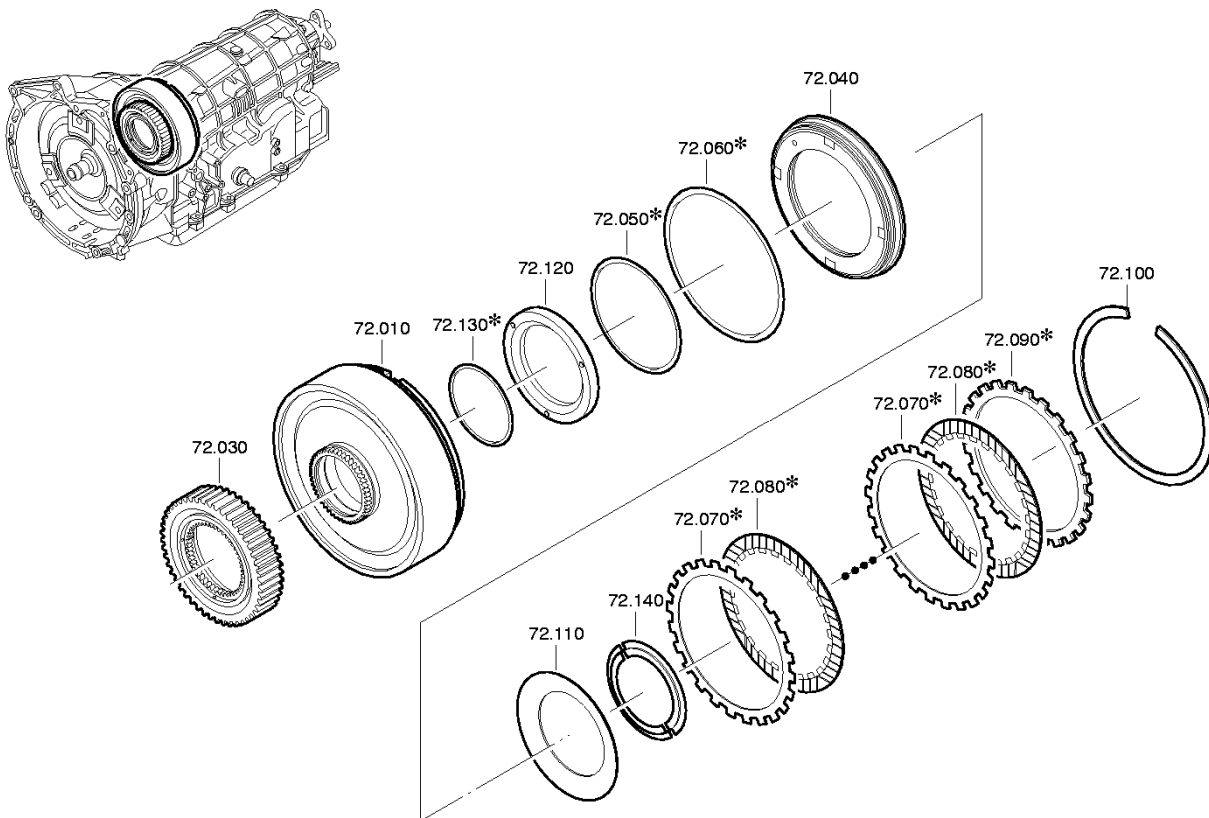


Note: Parts marked with * are only available in kits.



5HP18 Spare Parts – Clutch Pack Groups (continued)

Pos #	ZF Part #	Description	Qty	Where used (1056 000 ___)	Notes
72.010	1050 231 046	Cylinder B	1	All	
72.030	1056 272 049	Free Wheel	1	All	
72.040	1050 231 007	Piston	1	087/088/097/099	
	1050 231 008	Piston	1	081	
72.050	0734 313 006	O-Ring	1	081	* Available in kit 1056 298 062
	0734 313 019	O-Ring	1	087/088/097/099	* Available in kit 1056 298 062
72.060	0734 313 006	O-Ring	1	087/088/097/099	* Available in kit 1056 298 062
	0734 313 019	O-Ring	1	081	* Available in kit 1056 298 062
72.070	1050 302 011	Steel Plate B	2	081	* Available in kit 1056 298 064
	1050 302 011	Steel Plate B	3	087/088	* Available in kit 1056 298 064
	1060 370 002	Steel Plate B	3	097/099	* Available in kit 1056 298 065
72.080	1056 272 024	Friction Plate B	2	081	* Available in kit 1056 298 063
	1056 272 024	Friction Plate B	3	087/088/097/099	* Available in kit 1056 298 063
72.090	1050 302 013	End Plate B	1	081/087/088	* Available in kit 1056 298 064
	1060 370 003	End Plate B	1	097/099	* Available in kit 1056 298 065
72.100	0730 513 296	Snap Ring	1	All	
72.110	1050 331 020	Cup Spring	1	All	
72.120	1050 331 036	Intermediate Ring	1	All	
72.130	0734 313 069	O-Ring	1	All	* Available in kit 1056 298 062
72.140	1056 331 013	Stop-Ring	1	All	

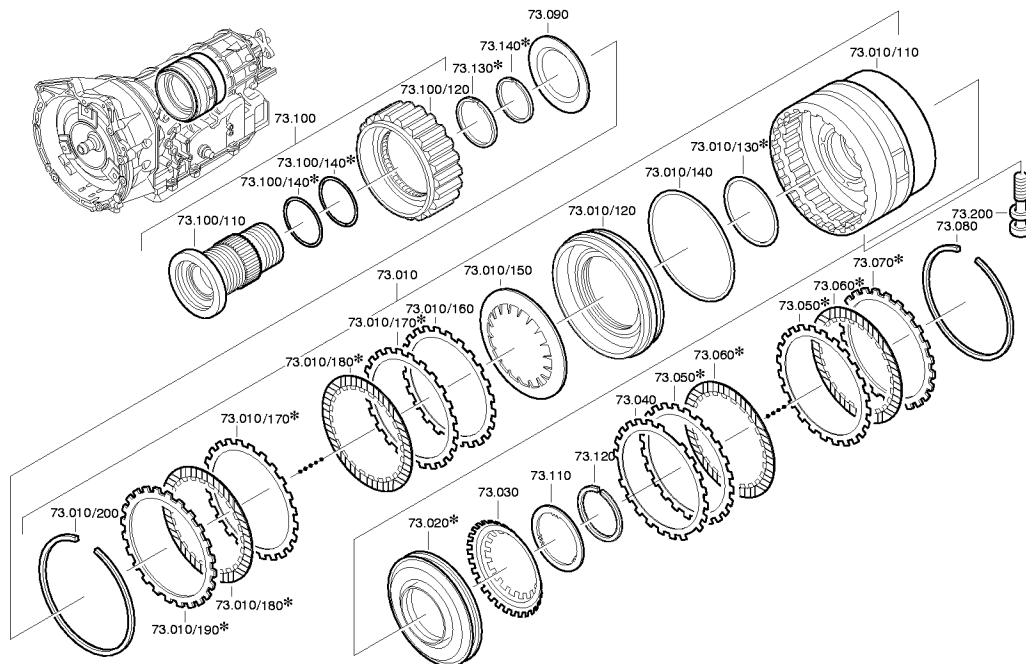


Note: Parts marked with * are only available in kits.



5HP18 Spare Parts – Clutch Pack Groups (continued)

Pos #	ZF Part #	Description	Qty	Where used (1056 000 ___)	Notes
73.010	1056 273 072	Cylinder D	1	087/088	
	1056 273 073	Cylinder D	1	081	
	1056 273 093	Cylinder D	1	097/099	
73.010/110	1056 373 032	Cylinder D	1	087/088/097/099	
	1056 373 033	Cylinder D	1	081	
73.010/120	1050 317 050	Piston	1	All	
73.010/130	0734 313 008	O-Ring	1	All	* Available in kit 1056 298 062
73.010/140	0734 313 086	O-Ring	2	All	* Available in kit 1056 298 062
73.010/150	0501 316 285	Cup Spring	1	All	
73.010/160	1056 373 003	Spring Clutch Disc	1	All	
73.010/170	1050 302 011	Steel Plate D	5	081	* Available in kit 1056 298 064
	1050 302 011	Steel Plate D	6	087/088	* Available in kit 1056 298 064
	1060 370 002	Steel Plate D	6	097/099	* Available in kit 1056 298 065
73.010/180	1050 217 002	Friction Plate D	5	081	* Available in kit 1056 298 063
	1050 217 002	Friction Plate D	6	087/088/097/099	* Available in kit 1056 298 063
73.010/190	1050 302 013	End Plate D	1	081/087/088	* Available in kit 1056 298 064
	1060 370 003	End Plate D	1	097/099	* Available in kit 1056 298 065
73.010/200	See Page 29	Clutch D Snap Ring	1	All	Selective Snap Ring
73.020	0750 132 057	Piston	1	All	* Available in kit 1056 298 069
73.030	0501 315 053	Cup Spring	1	All	

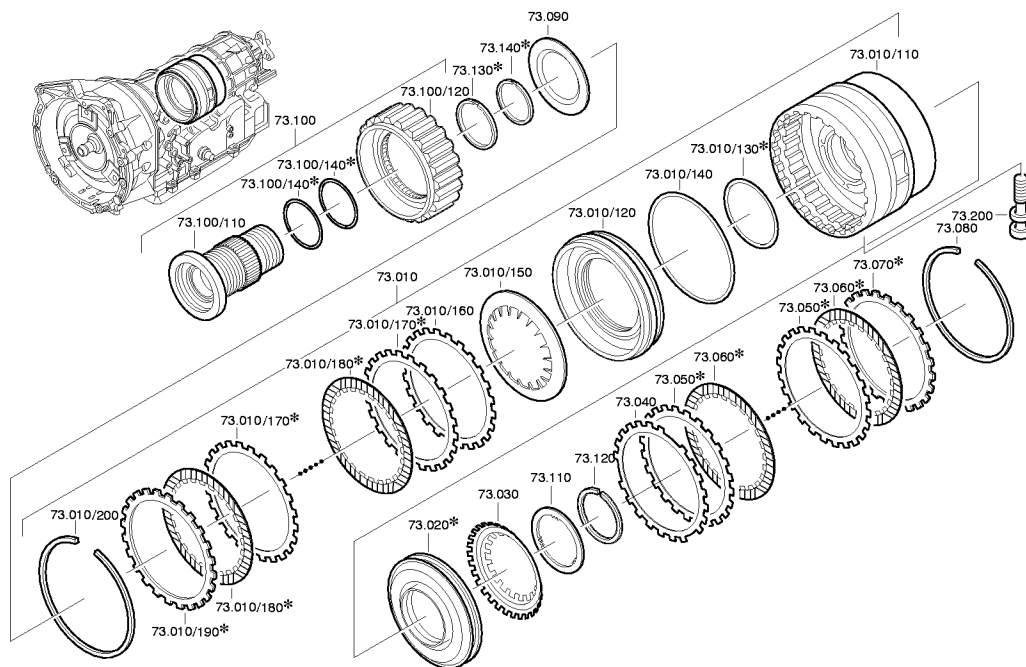


Note: Parts marked with * are only available in kits.



5HP18 Spare Parts – Clutch Pack Groups (continued)

Pos #	ZF Part #	Description	Qty	Where used (1056 000 ___)	Notes
73.040	1056 377 031	Spring Clutch Disc	1	All	
73.050	1056 377 044	Steel Plate G	3	081	* Available in kit 1056 298 064
	1056 377 044	Steel Plate G	4	087/088	* Available in kit 1056 298 064
	1060 377 003	Steel Plate G	4	097/099	* Available in kit 1056 298 065
73.060	1056 277 036	Friction Plate G	3	081	* Available in kit 1056 298 063
	1056 277 036	Friction Plate G	4	087/088/097/099	* Available in kit 1056 298 063
73.070	1056 377 046	End Plate G	1	081/087/088	* Available in kit 1056 298 064
	1060 377 004	End Plate G	1	097/099	* Available in kit 1056 298 065
73.080	See Page 30	Clutch G Snap Ring	1	All	Selective Snap Ring
73.090	1056 373 021	Fixing Washer	1	All	
73.100	1056 273 075	Carrier	1	All	
73.100/110	1056 273 094	Carrier	1	All	
73.100/120	1056 273 076	Free Wheel	1	All	
73.100/140	0734 313 086	O-Ring	2	All	* Available in kit 1056 298 062
73.110	1056 376 005	Thrust Washer	1	All	
73.120	0730 513 461	Snap Ring	1	All	
73.130	0734 317 219	Piston Ring	1	All	* Available in kit 1056 298 062
73.140	0734 317 205	Piston Ring	1	All	* Available in kit 1056 298 062
73.200	0736 101 137	Torx Screw M10x55	3	All	

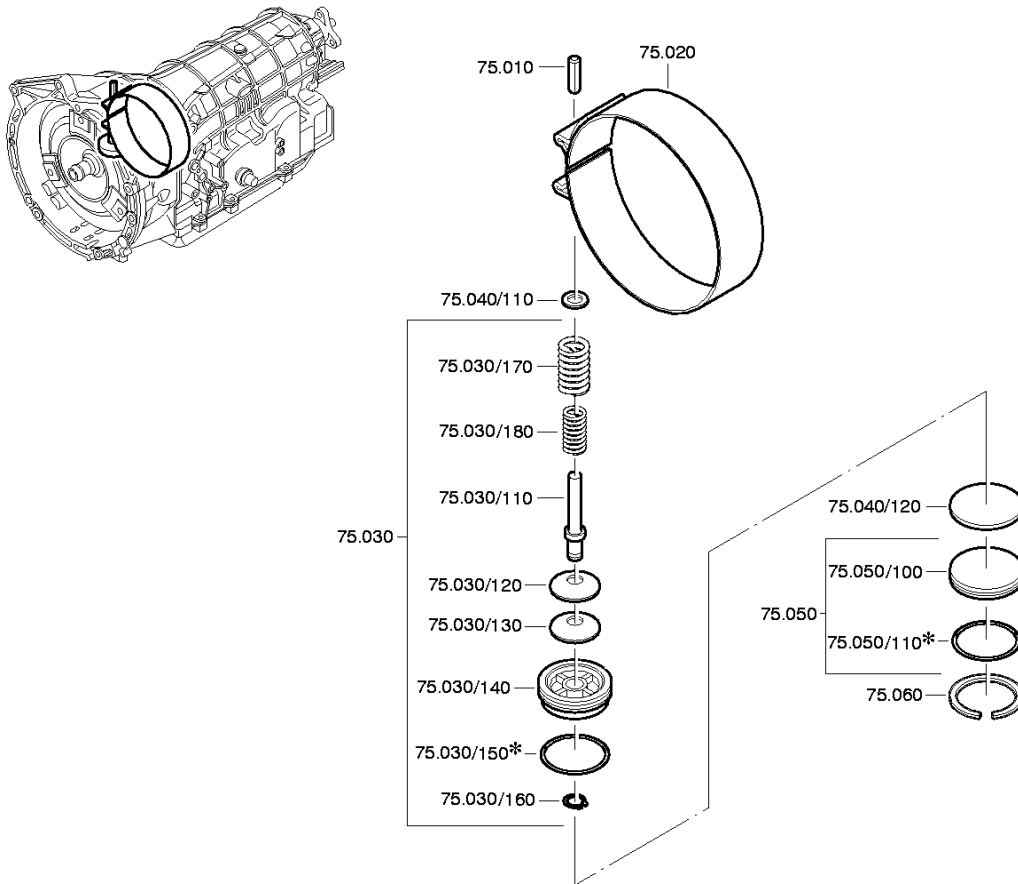


Note: Parts marked with * are only available in kits.



5HP18 Spare Parts – Clutch Pack Groups (continued)

Pos #	ZF Part #	Description	Qty	Where used (1056 000 ___)	Notes
75.010	1056 375 001	Pin	1	All	
75.020	0501 208 727	Brake Band	1	All	
75.030	1056 275 005	Piston	1	All	
75.030/110	1056 375 002	Piston Rod	1	All	
75.030/120	1036 331 033	Cup Spring	1	All	
75.030/130	1036 331 033	Cup Spring	1	All	
75.030/140	1056 375 003	Piston	1	All	
75.030/150	0734 313 030	O-Ring	1	All	* Available in kit 1056 298 062
75.030/160	0630 531 205	Locking Washer	1	All	
75.030/170	0732 041 472	Compression Spring	1	All	
75.030/180	0732 041 698	Compression Spring	1	All	
75.040/110	See Page 30	Clutch C2 Inner Shim	1	All	Selective Shim
75.040/120	See Page 30	Clutch C2 Outer Shim	1	All	Selective Shim
75.050	1056 275 002	Cover	1	All	
75.050/100	1056 331 001	Cover	1	All	
75.050/110	1043 317 001	O-Ring	1	All	* Available in kit 1056 298 062
75.060	0730 513 231	Snap Ring	1	All	

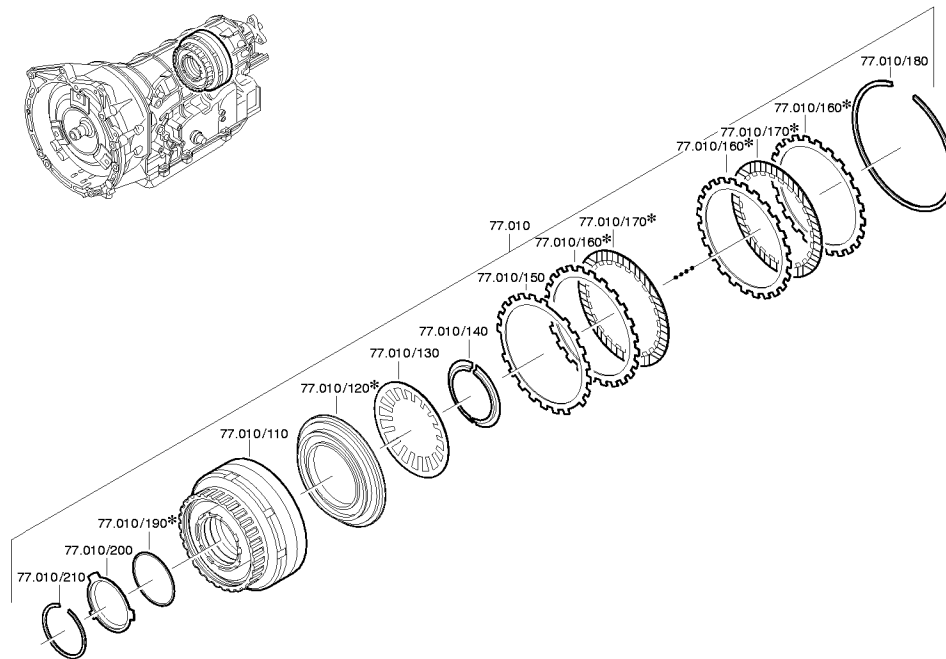


Note: Parts marked with * are only available in kits.



5HP18 Spare Parts – Clutch Pack Groups (continued)

Pos #	ZF Part #	Description	Qty	Where used (1056 000 ___)	Notes
77.010	1056 277 071	Cylinder F	1	087/088	
	1056 277 072	Cylinder F	1	081	
	1056 277 075	Cylinder F	1	097/099	
77.010/110	1056 277 047	Cylinder F	1	087/088/097/099	
	1056 277 048	Cylinder F	1	081	
77.010/120	0750 132 060	Piston	1	All	* Available in kit 1056 298 069
77.010/130	0501 312 903	Cup Spring	1	All	
77.010/140	1056 377 017	Stop-Ring	1	All	
77.010/150	1056 377 031	Spring Clutch Disc	1	All	
77.010/160	1056 377 045	Steel Plate F	5	081	* Available in kit 1056 298 064
	1056 377 045	Steel Plate F	6	087/088	* Available in kit 1056 298 064
	1060 377 002	Steel Plate F	6	097/099	* Available in kit 1056 298 065
77.010/170	1056 277 036	Friction Plate F	4	081	* Available in kit 1056 298 063
	1056 277 036	Friction Plate F	5	087/088/097/099	* Available in kit 1056 298 063
77.010/180	See Page 31	Clutch F Snap Ring	1	All	Selective Snap Ring
77.010/190	0734 313 135	O-Ring	1	All	* Available in kit 1056 298 062
77.010/200	1056 377 027	Bush	1	All	
77.010/210	0630 513 136	Snap Ring	1	All	

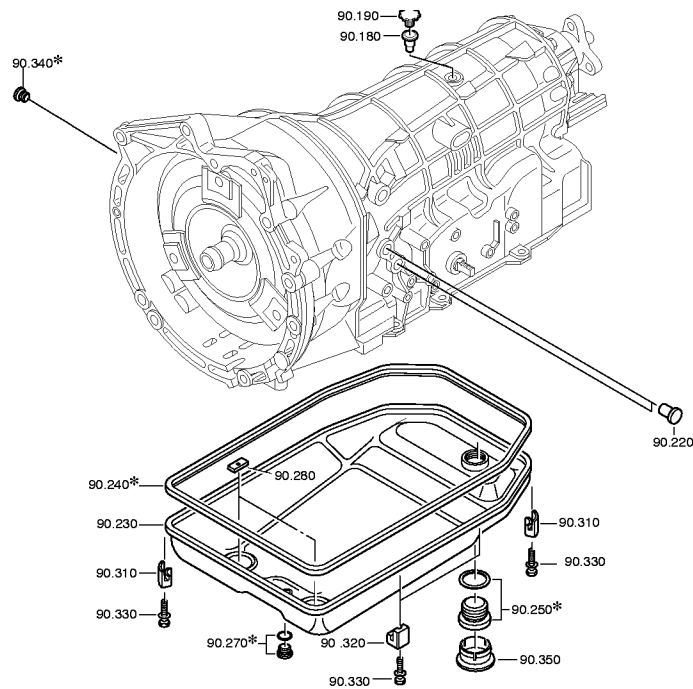


Note: Parts marked with * are only available in kits.



5HP18 Spare Parts – Oil Sump Group

Pos #	ZF Part #	Description	Qty	Where used (1056 000 ___)	Notes
90.180	0501 318 900	Breather Tube	1	All	
90.190	0501 314 809	Breather Cover	1	All	
90.220	0637 900 068	Plug	2	All	
90.230	1056 203 029	Oil Sump	1	All	
90.240	1056 301 010	Gasket	1	All	* Available in kit 1056 298 062 * Available in kit 5HP18FK
90.250	0634 801 097	Sealing Ring	1	All	* Available in kit 1056 298 062 * Available in kit 5HP18FK
	0636 302 066	Screw Plug M30x1.5	1	All	
90.270	0636 302 053	Screw Plug M10x1	1	All	
	0730 150 764	Sealing Ring	1	All	* Available in kit 1056 298 062 * Available in kit 5HP18FK
90.280	1043 301 036	Magnet	2	All	
90.310	1043 301 906	Angle Bracket	3	All	
90.320	1043 301 658	Angle Bracket	5	All	
90.330	0736 010 151	Hexagon Screw M6x37	8	All	
90.340	0501 318 572	Screw Plug M10x1	1	All	* Available in kit 1056 298 062
90.350	0501 314 780	Cap	1	097/099	



Note: Parts marked with * are only available in kits.



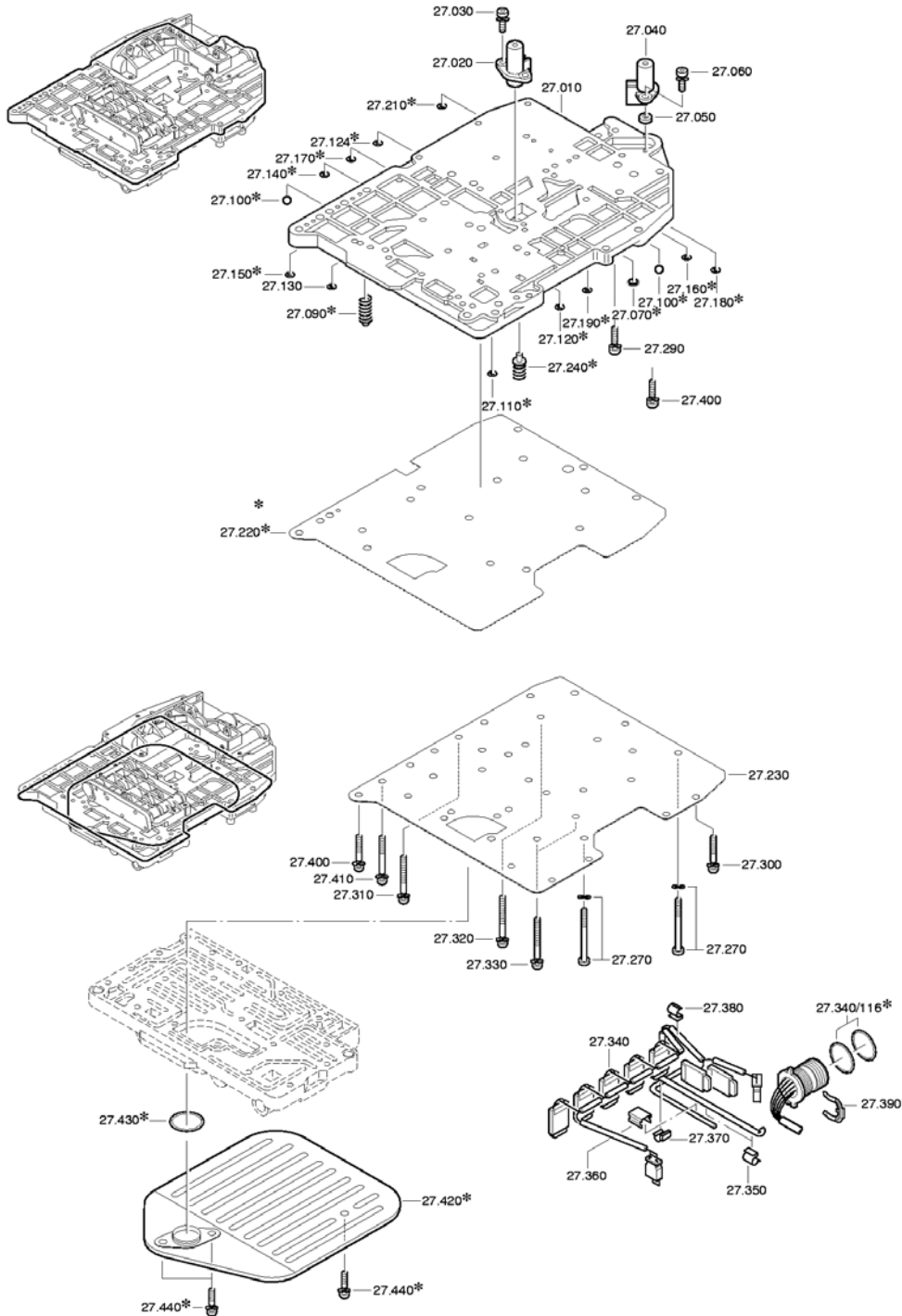
5HP18 Valve Body – Duct Plate Group

Pos #	ZF Part #	Description	Qty	Where used (1056 000 ___)	Notes
27.010	1056 327 136	Duct Plate	1	All	
27.020	0501 311 086	Speed Sensor	1	All	
27.030	0736 101 066	Torx Screw M5x18	2	All	
27.040	0501 311 086	Speed Sensor	1	All	
27.050	1056 327 032	Spacer Ring	2	All	
27.060	0736 101 065	Torx Screw M5x22	2	All	
27.070	0501 311 217	Screen	1	All	* Available in kit 5HP18VBK
27.090	1060 227 019	Valve	1	All	* Available in kit 5HP18VBK
27.100	1043 326 037	Ball	2	All	* Available in kit 5HP18VBK
27.110	1056 327 020	Valve Orifice D=1.2	1	All	* Available in kit 5HP18VBK
27.120	1056 327 019	Valve Orifice D=1.0	1	All	* Available in kit 5HP18VBK
27.124	1056 327 039	Valve Orifice D=1.7	1	All	* Available in kit 5HP18VBK
27.130	1056 327 077	Valve Orifice D=2.5	1	081	
27.140	1056 327 020	Valve Orifice D=1.2	1	All	* Available in kit 5HP18VBK
27.150	1056 327 039	Valve Orifice D=1.7	1	097/099	
	1056 327 045	Valve Orifice D=1.9	1	081/087/088	* Available in kit 5HP18VBK
27.160	1056 327 019	Valve Orifice D=1.0	1	081/097/099	
	1056 327 020	Valve Orifice D=1.2	1	087/088	* Available in kit 5HP18VBK
27.170	1056 327 020	Valve Orifice D=1.2	1	All	* Available in kit 5HP18VBK
27.180	1056 327 020	Valve Orifice D=1.2	1	All	* Available in kit 5HP18VBK
27.190	1056 327 021	Valve Orifice D=1.5	1	097/099	
	1056 327 039	Valve Orifice D=1.7	1	081/087/088	* Available in kit 5HP18VBK
27.210	1056 327 020	Valve Orifice D=1.2	1	All	* Available in kit 5HP18VBK
27.220	1056 327 110	Gasket	1	All	* Available in kit 1056 298 062 * Available in kit 5HP18VBK
27.230	1056 327 154	Intermediate Sheet	1	All	
27.240	1060 227 020	Valve	1	All	* Available in kit 5HP18VBK
27.270	0630 302 103	Spring Washer	3	All	
	0736 101 141	Torx Screw M5x60	3	All	
27.290	0736 101 271	Torx Screw M5x25	4	All	
27.300	0736 101 092	Torx Screw M5x40	6	All	
27.310	0736 101 061	Torx Screw M5x45	3	All	
27.320	0736 101 059	Torx Screw M5x55	1	All	
27.330	0736 101 058	Torx Screw M5x60	10	All	
27.340	1056 227 024	Wiring Harness	1	All	
27.340/116	0501 209 253	O-Ring	2	All	* Available in kit 1056 298 062
27.350	0501 312 435	Cable Terminal	2	All	
27.360	0501 312 434	Clip	1	All	
27.370	0501 305 955	Cable Terminal	1	All	
27.380	0501 305 955	Cable Terminal	1	All	
27.390	1058 327 026	Retaining Clamp	1	All	
27.400	0736 101 176	Torx Screw M6x30	2	All	
27.410	0736 101 123	Torx Screw M6x55	11	All	
27.420	0501 005 185	Filter	1	All	* Available in kit 1056 298 047 * Available in kit 5HP18FK
27.430	0734 313 181	O-Ring	1	All	* Available in kit 1056 298 047 * Available in kit 1056 298 062
27.440	0736 617 064	Torx Screw M5x14	3	All	* Available in kit 1056 298 047 * Available in kit 5HP18FK

Note: Parts marked with * are only available in kits.



5HP18 Valve Body – Duct Plate Group (continued)

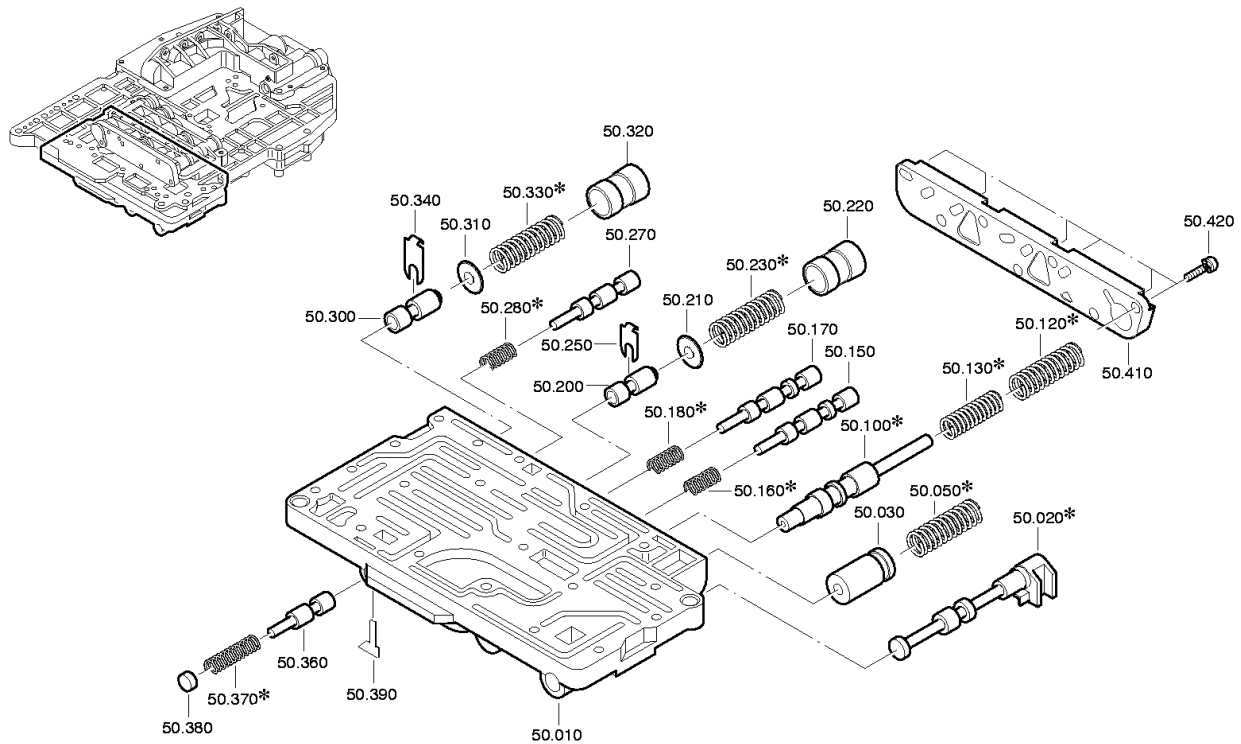


Note: Parts marked with * are only available in kits.



5HP18 Valve Body – Valve Housing Groups

Pos #	ZF Part #	Description	Qty	Where used (1056 000 ___)	Notes
50.010	1056 327 151	Valve Housing	1	081/087/088	
	1056 327 156	Valve Housing	1	097/099	
50.020	1056 327 173	Selector Shift Valve	1	All	* Available in kit 5HP18VBK
50.030	1058 327 017	Damper Piston	1	All	
50.050	0732 041 547	Compression Spring	1	087/088/097/099	* Available in kit 5HP18VBK
	0732 041 574	Compression Spring	1	081	
50.100	1056 327 002	Piston	1	All	* Available in kit 5HP18VBK
50.120	0732 041 197	Compression Spring	1	All	* Available in kit 5HP18VBK
50.130	0732 041 196	Compression Spring	1	All	* Available in kit 5HP18VBK
50.150	1056 327 029	Gear Shift Slide	1	All	
50.160	0732 041 462	Compression Spring	1	All	* Available in kit 5HP18VBK
50.170	1056 327 029	Gear Shift Slide	1	All	
50.180	0732 041 462	Compression Spring	1	All	* Available in kit 5HP18VBK
50.200	1056 327 015	Piston	1	All	
50.210	1024 323 202	Spring Cup	1	All	
50.220	1056 327 183	Piston	1	All	

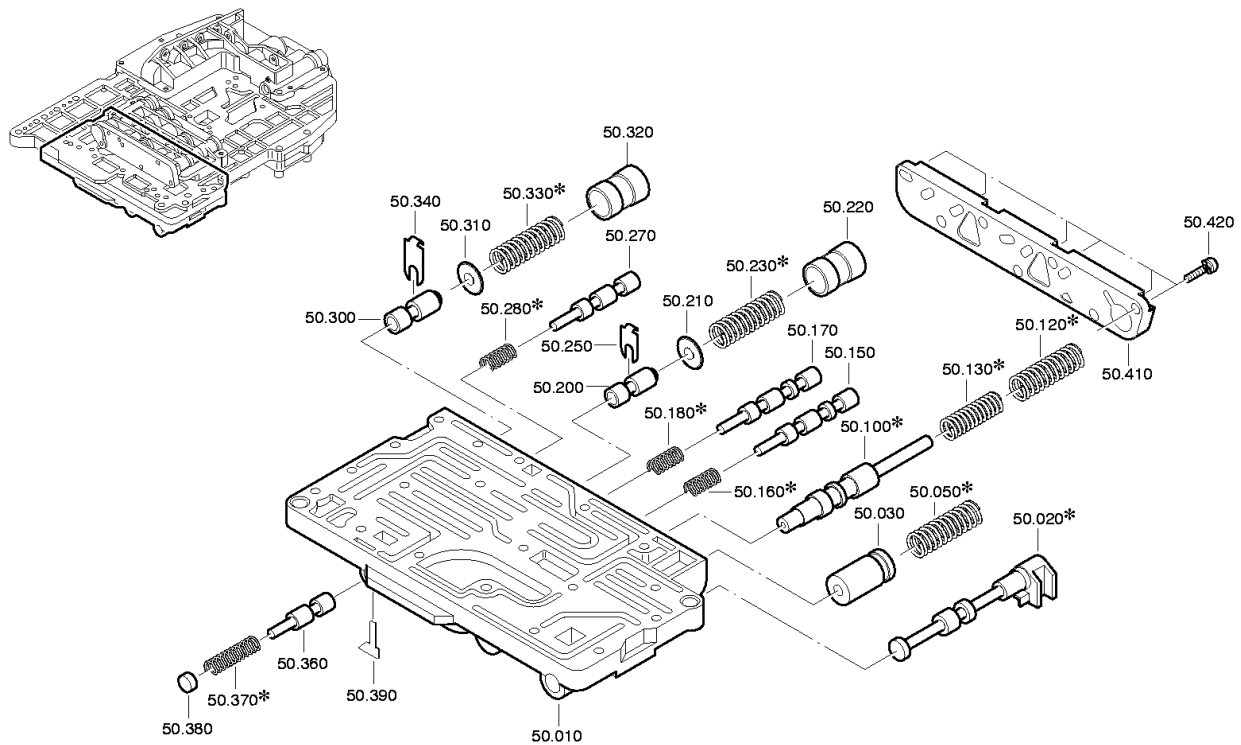


Note: Parts marked with * are only available in kits.



5HP18 Valve Body – Valve Housing Groups (continued)

Pos #	ZF Part #	Description	Qty	Where used (1056 000 ___)	Notes
50.230	0732 040 638	Compression Spring	1	All	* Available in kit 5HP18VBK
50.250	1056 327 035	Stop Plate	1	All	
50.270	1056 327 028	Piston	1	All	
50.280	0732 041 462	Compression Spring	1	All	* Available in kit 5HP18VBK
50.300	1056 327 003	Piston	1	All	
50.310	1024 323 202	Spring Cup	1	All	
50.320	1056 327 183	Piston	1	All	
50.330	0732 041 524	Compression Spring	1	All	* Available in kit 5HP18VBK
50.340	1056 327 036	Stop Plate	1	All	
50.360	1043 326 169	Valve Spool	1	All	
50.370	0732 042 147	Compression Spring	1	All	* Available in kit 5HP18VBK
50.380	1043 326 092	Plug	1	All	
50.390	1043 323 105	Support Plate	1	All	
50.410	1056 327 056	Cover	1	All	
50.420	0736 101 066	Torx Screw M5x18	7	All	

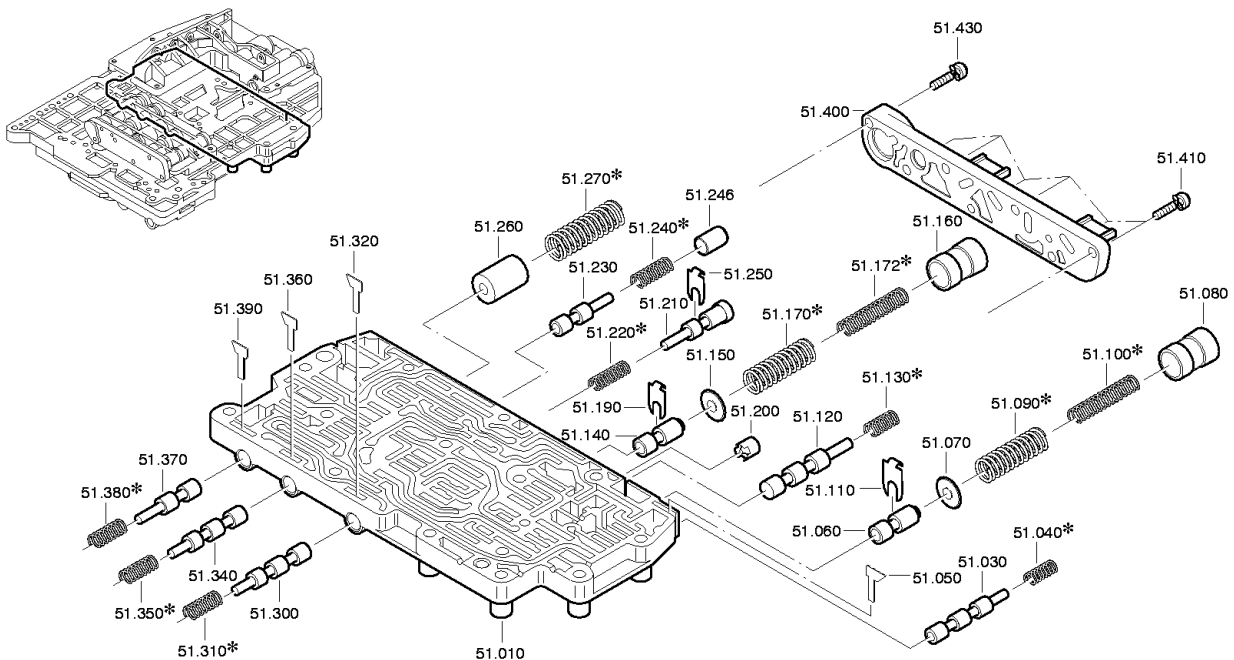


Note: Parts marked with * are only available in kits.



5HP18 Valve Body – Valve Housing Groups (continued)

Pos #	ZF Part #	Description	Qty	Where used (1056 000 ___)	Notes
51.010	1056 327 105	Valve Housing	1	081/087/088	
	1056 327 179	Valve Housing	1	097/099	
51.030	1056 327 028	Piston	1	All	
51.040	0732 041 462	Compression Spring	1	All	* Available in kit 5HP18VBK
51.050	1043 323 105	Support Plate	1	All	
51.060	1056 327 003	Piston	1	All	
51.070	1024 323 202	Spring Cup	1	All	
51.080	1056 327 183	Piston	1	All	
51.090	0732 040 638	Compression Spring	1	081/097/099	
	0732 042 115	Compression Spring	1	087/088	* Available in kit 5HP18VBK
51.100	0732 041 862	Compression Spring	1	087/088/097/099	* Available in kit 5HP18VBK
51.110	1056 327 036	Stop Plate	1	All	
51.120	1056 327 001	Piston	1	All	
51.130	0732 041 606	Compression Spring	1	All	* Available in kit 5HP18VBK
51.140	1056 327 015	Piston	1	All	
51.150	1024 323 202	Spring Cup	1	All	
51.160	1056 327 183	Piston	1	All	
51.170	0732 041 813	Compression Spring	1	All	* Available in kit 5HP18VBK
51.172	0732 041 799	Compression Spring	1	081/087/088	* Available in kit 5HP18VBK
51.190	1056 327 035	Stop Plate	1	All	
51.200	1043 226 028	Valve	1	081/087/088	
51.210	1056 327 108	Piston	1	All	

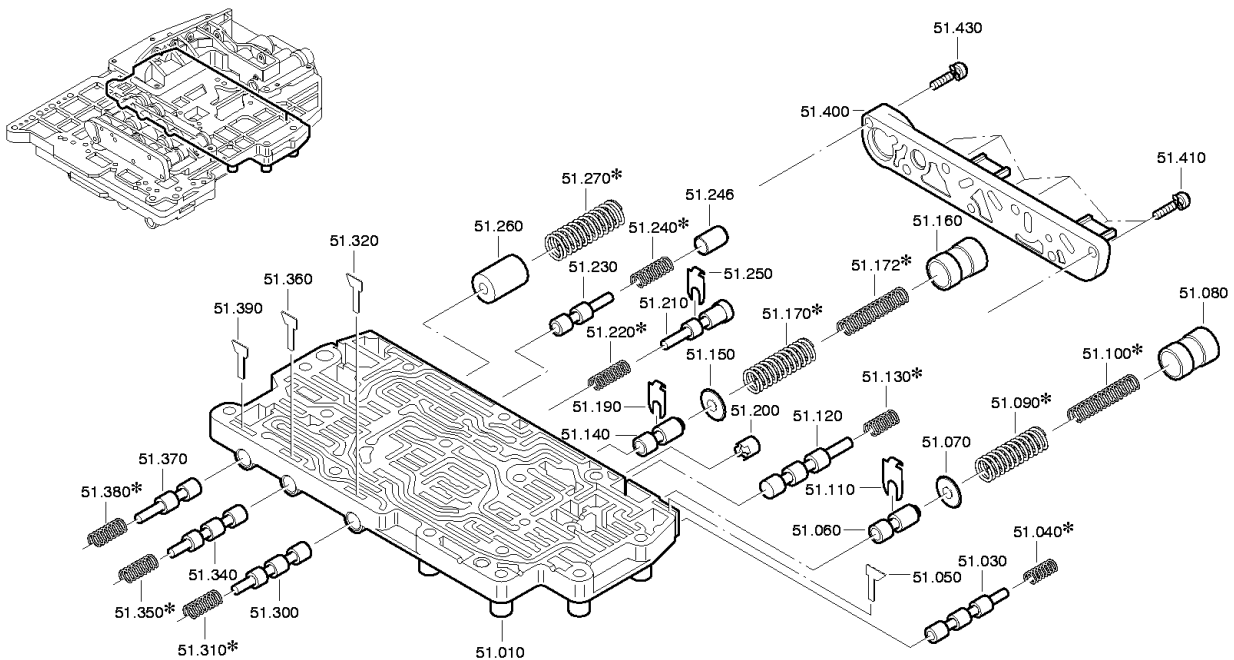


Note: Parts marked with * are only available in kits.



5HP18 Valve Body – Valve Housing Groups (continued)

Pos #	ZF Part #	Description	Qty	Where used (1056 000 ___)	Notes
51.220	0732 041 826	Compression Spring	1	All	* Available in kit 5HP18VBK
51.230	1043 326 169	Valve Spool	1	All	
51.240	0732 042 566	Compression Spring	1	097/099	* Available in kit 5HP18VBK
	0732 042 581	Compression Spring	1	081/087/088	
51.246	1056 327 177	Piston	1	All	
51.250	1050 327 090	Stop Plate	1	All	
51.260	1043 326 238	Damper Piston	1	All	
51.270	0732 041 966	Compression Spring	1	All	* Available in kit 5HP18VBK
51.300	1056 327 028	Piston	1	All	
51.310	0732 041 462	Compression Spring	1	All	* Available in kit 5HP18VBK
51.320	1043 323 105	Support Plate	1	All	
51.340	1056 327 028	Piston	1	All	
51.350	0732 041 462	Compression Spring	1	All	* Available in kit 5HP18VBK
51.360	1043 323 105	Support Plate	1	All	
51.370	1043 326 169	Valve Spool	1	All	
51.380	0732 041 820	Compression Spring	1	097/099	* Available in kit 5HP18VBK
	0732 041 870	Compression Spring	1	081/087/088	
51.390	1043 323 105	Support Plate	1	All	
51.400	1056 327 175	Cover	1	All	
51.410	0736 101 065	Torx Screw M5x22	6	All	
51.430	0736 101 063	Torx Screw M5x30	1	All	

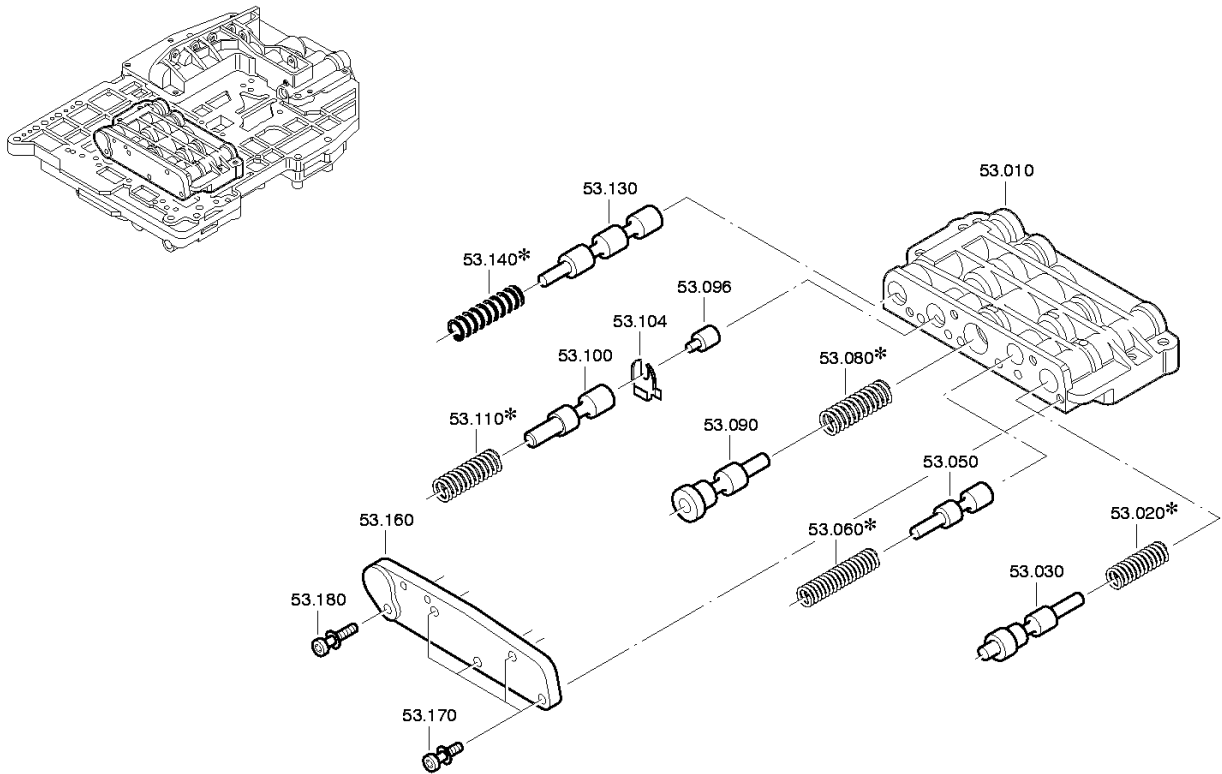


Note: Parts marked with * are only available in kits.



5HP18 Valve Body – Valve Housing Groups (continued)

Pos #	ZF Part #	Description	Qty	Where used (1056 000 ___)	Notes
53.010	1056 327 174	Housing	1	All	
53.020	0732 041 667	Compression Spring	1	All	* Available in kit 5HP18VBK
53.030	1056 327 071	Piston	1	All	
53.050	1043 326 169	Valve Spool	1	All	
53.060	0732 041 336	Compression Spring	1	All	* Available in kit 5HP18VBK
53.080	0732 041 799	Compression Spring	1	All	* Available in kit 5HP18VBK
53.090	1043 327 072	Piston	1	All	
53.096	1056 327 074	Piston	1	All	
53.100	1043 327 078	Piston	1	All	
53.104	1056 327 075	Stop Plate	1	All	
53.110	0732 041 550	Compression Spring	1	All	* Available in kit 5HP18VBK
53.130	1056 327 176	Piston	1	All	
53.140	0732 042 680	Compression Spring	1	All	* Available in kit 5HP18VBK
53.160	1056 327 053	Cover	1	All	
53.170	0736 101 066	Torx Screw M5x18	4	All	
53.180	0736 101 065	Torx Screw M5x22	1	All	



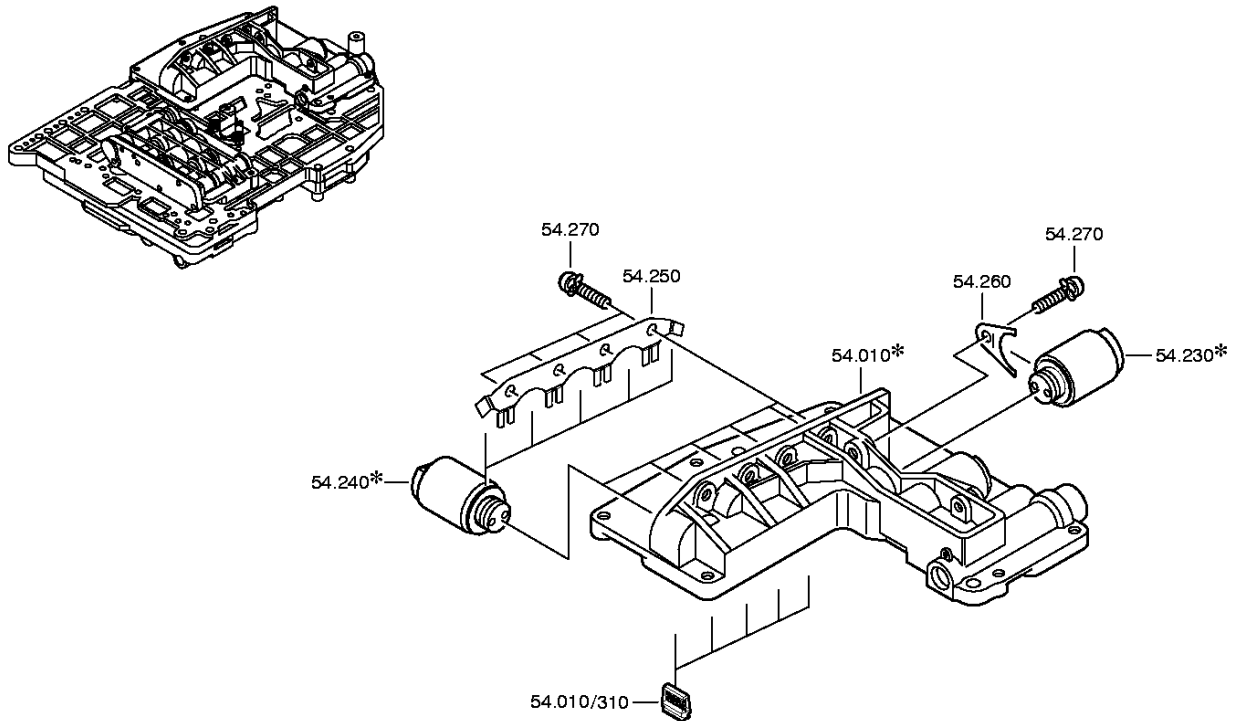
Note: Parts marked with * are only available in kits.



5HP18 Valve Body – Valve Housing Groups (continued)

Pos #	ZF Part #	Description	Qty	Where used (1056 000 ___)	Notes
54.010	1056 254 015	Valve Housing	1	087/088/097/099	* Available in kit 1056 298 066
	1056 254 016	Valve Housing	1	081	* Available in kit 1056 298 068
54.010/310	0501 209 749	Filter	4	All	
54.230	0501 315 752	Solenoid Valve	1	All	* Available in kit 1056 298 066 * Available in kit 1056 298 067 * Available in kit 1056 298 068
54.240	0750 132 105	Solenoid Valve	5	All	* Available in kit 1056 298 066 * Available in kit 1056 298 067 * Available in kit 1056 298 068
54.250	1056 327 069	Fixing Plate	1	All	
54.260	1043 326 045	Fixing Plate	1	All	
54.270	0736 101 094	Torx Screw M5x12	5	All	

Note: Position 54.010 (Valve Housing) includes pressure regulator calibrated to modulation housing.



Note: Parts marked with * are only available in kits.



5HP18 Selective Shims & Snap Rings

5HP18 Selective Snap Ring

Pos #	Select. Parts	Description	Qty	Where used (1056 000 ___)
10.340		Clutch C Snap Ring	1	All
	0730 513 348	Snap Ring A=1.10		
	0730 513 347	Snap Ring A=1.30		
	0301 302 043	Snap Ring A=1.50		
	0730 513 351	Snap Ring A=1.70		
	0730 513 355	Snap Ring A=1.90		
	0730 513 407	Snap Ring A=2.10		
	0730 513 408	Snap Ring A=2.30		
	0730 513 325	Snap Ring A=2.50		

5HP18 Selective Shim

Pos #	Select. Parts	Description	Qty	Where used (1056 000 ___)
10.400		Intermediate Plate Shim	1	All
	0730 105 263	Shim A=1.00		
	0730 105 264	Shim A=1.20		
	0730 105 265	Shim A=1.40		
	0730 105 266	Shim A=1.60		
	0730 105 267	Shim A=1.80		
	0730 105 268	Shim A=2.00		
	0730 105 269	Shim A=2.20		
	0730 105 270	Shim A=2.40		
	0730 105 271	Shim A=2.60		
	0730 105 272	Shim A=2.80		
	0730 105 273	Shim A=3.00		
	0730 105 274	Shim A=3.20		
	0730 105 275	Shim A=3.40		
	0730 105 276	Shim A=3.60		

5HP18 Selective Shim

Pos #	Select. Parts	Description	Qty	Where used (1056 000 ___)
14.050		Output Shim	1	All
	0730 107 753	Shim A=0.80		
	0730 107 754	Shim A=1.00		
	0730 107 755	Shim A=1.20		
	0730 107 756	Shim A=1.40		
	0730 107 757	Shim A=1.60		
	0730 107 758	Shim A=1.80		
	0730 107 759	Shim A=2.00		
	0730 107 760	Shim A=2.20		
	0730 107 761	Shim A=2.40		
	0730 107 762	Shim A=2.60		
	0730 107 763	Shim A=2.80		



5HP18 Selective Shims & Snap Rings (continued)

5HP18 Selective Snap Ring

Pos #	Select. Parts	Description	Qty	Where used (1056 000 ___)
70.010/230		Clutch A Snap Ring	1	All
	0730 513 293	Snap Ring A=1.00		
	0730 513 294	Snap Ring A=1.20		
	0730 513 295	Snap Ring A=1.40		
	0730 513 296	Snap Ring A=1.60		
	0730 513 297	Snap Ring A=1.80		
	0730 513 298	Snap Ring A=2.00		
	0730 513 299	Snap Ring A=2.20		
	0730 513 300	Snap Ring A=2.40		
	0730 513 301	Snap Ring A=2.60		
	0730 513 302	Snap Ring A=2.80		

5HP18 Selective Snap Ring

Pos #	Select. Parts	Description	Qty	Where used (1056 000 ___)
71.130		Clutch E Snap Ring	1	All
	0730 513 613	Snap Ring A=1.00		
	0730 513 614	Snap Ring A=1.20		
	0730 513 615	Snap Ring A=1.40		
	0730 513 567	Snap Ring A=1.50		
	0730 513 616	Snap Ring A=1.60		
	0730 513 617	Snap Ring A=1.80		
	0730 513 618	Snap Ring A=2.00		
	0730 513 619	Snap Ring A=2.20		
	0730 513 620	Snap Ring A=2.40		
	0730 513 621	Snap Ring A=2.60		
	0730 513 622	Snap Ring A=2.80		

5HP18 Selective Snap Ring

Pos #	Select. Parts	Description	Qty	Where used (1056 000 ___)
73.010/200		Clutch D Snap Ring	1	
	0730 513 297	Snap Ring A=1.80		
	0730 513 299	Snap Ring A=2.20		
	0730 513 300	Snap Ring A=2.40		
	0730 513 301	Snap Ring A=2.60		
	0730 513 302	Snap Ring A=2.80		
	0730 513 362	Snap Ring A=3.00		
	0730 513 568	Snap Ring A=3.20		
	0730 513 569	Snap Ring A=3.40		
	0730 513 570	Snap Ring A=3.60		
	0730 513 571	Snap Ring A=3.80		
	0730 513 364	Snap Ring A=4.00		
	0730 513 667	Snap Ring A=4.20		



5HP18 Selective Shims & Snap Rings (continued)

5HP18 Selective Snap Ring

Pos #	Select. Parts	Description	Qty	Where used (1056 000 ___)
73.080		Clutch G Snap Ring	1	All
	0730 513 212	Snap Ring A=1.80		
	0730 513 220	Snap Ring A=2.00		
	0730 513 221	Snap Ring A=2.20		
	0730 513 222	Snap Ring A=2.40		
	0730 513 223	Snap Ring A=2.60		
	0730 513 224	Snap Ring A=2.80		
	0730 513 439	Snap Ring A=3.00		
	0730 513 440	Snap Ring A=3.20		
	0730 513 441	Snap Ring A=3.40		

5HP18 Selective Shim

Pos #	Select. Parts	Description	Qty	Where used (1056 000 ___)
75.040/110		Clutch C2 Inner Shim	1	All
	0730 006 207	Shim A=2.25		
	0730 006 208	Shim A=2.50		
	0730 006 209	Shim A=2.75		
	0730 006 210	Shim A=3.00		
	0730 006 211	Shim A=3.25		
	0730 006 212	Shim A=3.50		
	0730 006 213	Shim A=3.75		
	0730 006 214	Shim A=4.00		
	0730 006 215	Shim A=4.25		
	0730 006 216	Shim A=4.50		
	0730 006 217	Shim A=4.75		
	0730 006 218	Shim A=5.00		

5HP18 Selective Shim

Pos #	Select. Parts	Description	Qty	Where used (1056 000 ___)
75.040/120		Clutch C2 Outer Shim	1	All
	0730 362 295	Shim A=1.50		
	0730 362 343	Shim A=1.75		
	0730 362 296	Shim A=2.00		
	0730 362 344	Shim A=2.25		
	0730 362 297	Shim A=2.50		
	0730 362 345	Shim A=2.75		
	0730 362 298	Shim A=3.00		
	0730 362 332	Shim A=3.25		
	0730 362 299	Shim A=3.50		
	0730 362 333	Shim A=3.75		
	0730 362 300	Shim A=4.00		
	0730 362 334	Shim A=4.25		

Note: Positions 75.040/110 and 75.040/120 must be paired. See repair manual for further information.



5HP18 Selective Shims & Snap Rings (continued)

5HP18 Selective Snap Ring

Pos #	Select. Parts	Description	Qty	Where used (1056 000 ____)
77.010/180		Clutch F Snap Ring	1	All
	0730 513 210	Snap Ring A=1.20		
	0730 513 211	Snap Ring A=1.40		
	0730 513 219	Snap Ring A=1.60		
	0730 513 212	Snap Ring A=1.80		
	0730 513 220	Snap Ring A=2.00		
	0730 513 221	Snap Ring A=2.20		
	0730 513 222	Snap Ring A=2.40		
	0730 513 223	Snap Ring A=2.60		
	0730 513 224	Snap Ring A=2.80		



5HP18 Kit Content

5HP18 Filter Kit – 1056 298 047

Pos #	ZF Part #	Description	Qty	Where used (1056 000 ___)	Notes
27.420	0501 005 185	Filter	1	All	
27.430	0734 313 181	O-Ring	1	All	
27.440	0736 617 064	Torx Screw M5x14	3	All	

5HP18 Overhaul Kit – 1056 298 062

Pos #	ZF Part #	Description	Qty	Where used (1056 000 ___)	Notes
01.010/200	0734 319 623	Shaft Seal	1	All	
01.010/240	0501 318 572	Screw Plug M10x1	1	All	
01.1090	0636 308 015	Screw Plug M12x1.5	1	All	
10.010/160	0750 111 254	Shaft Seal	1	All	
10.190	0734 313 006	O-Ring	1	All	
10.200	0734 313 117	O-Ring	1	All	
10.360	0734 313 064	O-Ring	1	All	
10.370	0750 113 015	Piston Ring	2	All	
10.380	0750 113 029	Piston Ring	1	All	
10.440	0750 112 076	Usit Ring	9	All	
14.010/140	0734 319 607	Shaft Seal	1	All	
14.100	0734 313 083	O-Ring	1	All	
27.220	1056 327 100	Gasket	1	Not used in North American application	
	1056 327 110	Gasket	1	All	
27.340/112	0501 312 446	O-Ring	1	Not used in North American application	
27.340/116	0501 209 253	O-Ring	2	All	
27.430	0734 313 181	O-Ring	1	All	
54.010/271	0734 313 120	O-Ring	1	All	
70.010/120	0734 313 014	O-Ring	1	All	
70.010/130	0734 313 029	O-Ring	1	All	
70.010/160	0734 313 017	O-Ring	1	All	
71.020	0734 317 256	Piston Ring	2	All	
71.030	0734 317 190	Sealing Ring	1	All	
71.040	0734 313 213	O-Ring	1	All	
71.060	0734 313 020	O-Ring	1	All	
71.070	0734 313 027	O-Ring	1	All	
72.050	0734 313 006	O-Ring	1	081	
	0734 313 019	O-Ring	1	087/088/097/099	
72.060	0734 313 006	O-Ring	1	087/088/097/099	
	0734 313 019	O-Ring	1	081	
72.130	0734 313 069	O-Ring	1	All	
73.010/130	0734 313 008	O-Ring	1	All	
73.010/140	0734 313 086	O-Ring	2	All	
73.130	0734 317 219	Piston Ring	1	All	
73.140	0734 317 205	Piston Ring	1	All	
75.030/150	0734 313 030	O-Ring	1	All	
75.050/110	1043 317 001	O-Ring	1	All	

Note: Above listed parts are not sold individually.



5HP18 Kit Content (continued)

5HP18 Overhaul Kit – 1056 298 062 (continued)

Pos #	ZF Part #	Description	Qty	Where used (1056 000 ____)	Notes
77.010/190	0734 313 135	O-Ring	1	All	
90.240	1056 301 010	Gasket	1	All	
90.250	0634 801 097	Sealing Ring	1	All	
90.270	0730 150 764	Sealing Ring	1	All	
90.340	0501 318 572	Screw Plug M10x1	4	All	

5HP18 Fiber Clutch Kit – 1056 298 063

Pos #	ZF Part #	Description	Qty	Where used (1056 000 ____)	Notes
10.300	1056 210 053	Friction Plate C	4	All	081 uses 3 pieces
70.010/210	1050 202 002	Friction Plate A	5	All	081 uses 4 pieces
71.110	1050 230 033	Friction Plate E	5	All	081 uses 4 pieces
72.080	1056 272 024	Friction Plate B	3	All	081 uses 2 pieces
73.010/180	1050 217 002	Friction Plate D	6	All	081 uses 5 pieces
73.060	1056 277 036	Friction Plate G	4	All	081 uses 3 pieces
77.010/170	1056 277 036	Friction Plate F	5	All	081 uses 4 pieces
	1056 277 012	Friction Plate F	5	Not used in North American application	

5HP18 Steel Kit – 1056 298 064

Pos #	ZF Part #	Description	Qty	Where used (1056 000 ____)	Notes
10.280	1043 302 092	End Plate C	1	081/087/088	
10.290	1043 302 021	Steel Plate C	3	081/087/088	081 uses 2 pieces
10.330	0301 302 004	End Plate C	1	081/087/088	
70.010/200	1050 302 011	Steel Plate A	5	081/087/088	081 uses 4 pieces
70.010/220	1050 302 013	End Plate A	1	081/087/088	
71.100	1050 330 017	Steel Plate E	5	081/087/088	081 uses 4 pieces
71.120	1056 330 002	End Plate E	1	081/087/088	
72.070	1050 302 011	Steel Plate B	3	081/087/088	081 uses 2 pieces
72.090	1050 302 013	End Plate B	1	081/087/088	
73.010/170	1050 302 011	Steel Plate D	6	081/087/088	081 uses 5 pieces
73.010/190	1050 302 013	End Plate D	1	081/087/088	
73.050	1056 377 044	Steel Plate G	4	081/087/088	081 uses 3 pieces
73.070	1056 377 046	End Plate G	1	081/087/088	
77.010/160	1056 377 045	Steel Plate F	6	081/087/088	081 uses 5 pieces

Note: Above listed parts are not sold individually.



5HP18 Kit Content (continued)

5HP18 Steel Kit – 1056 298 065

Pos #	ZF Part #	Description	Qty	Where used (1056 000 ___)	Notes
10.280	1043 302 092	End Plate C	1	097/099	
10.290	1043 302 021	Steel Plate C	3	097/099	
10.330	0301 302 004	End Plate C	1	097/099	
70.010/200	1060 370 002	Steel Plate A	5	097/099	
70.010/220	1060 370 003	End Plate A	1	097/099	
71.100	1060 371 002	Steel Plate E	5	097/099	
71.120	1060 371 003	End Plate E	1	097/099	
72.070	1060 370 002	Steel Plate B	3	097/099	
72.090	1060 370 003	End Plate B	1	097/099	
73.010/170	1060 370 002	Steel Plate D	6	097/099	
73.010/190	1060 370 003	End Plate D	1	097/099	
73.050	1060 377 003	Steel Plate G	4	097/099	
73.070	1060 377 004	End Plate G	1	097/099	
77.010/160	1060 377 002	Steel Plate F	6	097/099	

5HP18 Solenoid Kit – 1056 298 066

Pos #	ZF Part #	Description	Qty	Where used (1056 000 ___)	Notes
54.010	1056 254 015	Valve Housing	1	087/088/097/099	
54.230	0501 315 752	Solenoid Valve	1	All	
54.240	0750 132 105	Solenoid Valve	5	All	

5HP18 Solenoid Kit – 1056 298 068

Pos #	ZF Part #	Description	Qty	Where used (1056 000 ___)	Notes
54.010	1056 254 016	Valve Housing	1	081	
54.230	0501 315 752	Solenoid Valve	1	All	
54.240	0750 132 105	Solenoid Valve	5	All	

Note: For 5HP18 Solenoid Kits 1056 298 066 and 1056 298 068 the position 54.010 (Valve Housing) includes pressure regulator calibrated to modulation housing.

5HP18 Molded Rubber Piston Kit – 1056 298 069

Pos #	ZF Part #	Description	Qty	Where used (1056 000 ___)	Notes
73.020	0750 132 057	Piston	1	All	
77.010/120	0750 132 060	Piston	1	All	

Note: Above listed parts are not sold individually.



5HP18 Kit Content (continued)

5HP18 Filter Kit – 5HP18FK

Pos #	ZF Part #	Description	Qty	Where used (1056 000 ___)	Notes
	1056 298 047	5HP18 Filter Kit	1	All	
27.420	0501 005 185	Filter	1	All	Included in kit 1056 298 047
27.430	0734 313 181	O-Ring	1	All	Included in kit 1056 298 047
27.440	0736 617 064	Torx Screw M5x14	3	All	Included in kit 1056 298 047
90.240	1056 301 010	Gasket	1	All	
90.250	0634 801 097	Sealing Ring	1	All	
90.270	0730 150 764	Sealing Ring	1	All	

5HP18 Valve Body Kit – 5HP18VBK

Pos #	ZF Part #	Description	Qty	Where used (1056 000 ___)	Notes
27.070	0501 311 217	Screen	1	All	
27.090	1060 227 019	Valve	1	All	
27.100	1043 326 037	Ball	2	All	
27.110	1056 327 020	Valve Orifice D=1.2	1	All	
27.120	1056 327 019	Valve Orifice D=1.0	1	All	
27.124	1056 327 039	Valve Orifice D=1.7	1	All	
27.140	1056 327 020	Valve Orifice D=1.2	1	All	
27.150	1056 327 045	Valve Orifice D=1.9	1	081/087/088	
27.160	1056 327 020	Valve Orifice D=1.2	1	087/088	
27.170	1056 327 020	Valve Orifice D=1.2	1	All	
27.180	1056 327 020	Valve Orifice D=1.2	1	All	
27.190	1056 327 039	Valve Orifice D=1.7	1	081/087/088	
27.210	1056 327 020	Valve Orifice D=1.2	1	All	
27.220	1056 327 110	Gasket	1	All	
27.240	1060 227 020	Valve	1	All	
50.020	1056 327 173	Selector Shift Valve	1	All	
50.050	0732 041 547	Compression Spring	1	087/088/097/099	
50.100	1056 327 002	Piston	1	All	
50.120	0732 041 197	Compression Spring	1	All	
50.130	0732 041 196	Compression Spring	1	All	
50.160	0732 041 462	Compression Spring	1	All	
50.180	0732 041 462	Compression Spring	1	All	
50.230	0732 040 638	Compression Spring	1	All	
50.280	0732 041 462	Compression Spring	1	All	
50.330	0732 041 524	Compression Spring	1	All	
50.370	0732 042 147	Compression Spring	1	All	
51.040	0732 041 462	Compression Spring	1	All	
51.090	0732 042 115	Compression Spring	1	087/088	
51.100	0732 041 862	Compression Spring	1	087/088/097/099	
51.130	0732 041 606	Compression Spring	1	All	
51.170	0732 041 813	Compression Spring	1	All	
51.180	0732 041 799	Compression Spring	1	081/087/088	
51.220	0732 041 826	Compression Spring	1	All	

Note: Above listed parts are not sold individually.



5HP18 Kit Content (continued)

5HP18 Valve Body Kit – 5HP18VBK (continued)

Pos #	ZF Part #	Description	Qty	Where used (1056 000 ___)	Notes
51.240	0732 042 581	Compression Spring	1	081/087/088	
51.270	0732 041 966	Compression Spring	1	All	
51.310	0732 041 462	Compression Spring	1	All	
51.350	0732 041 462	Compression Spring	1	All	
51.380	0732 041 870	Compression Spring	1	081/087/088	
53.020	0732 041 667	Compression Spring	1	All	
53.060	0732 041 336	Compression Spring	1	All	
53.080	0732 041 799	Compression Spring	1	All	
53.110	0732 041 550	Compression Spring	1	All	
53.140	0732 042 680	Compression Spring	1	All	

Note: Above listed parts are not sold individually.



Quotation / Order Form

FAX FORM TO YOUR PREFERRED ZF PASSENGER CAR TRANSMISSION DISTRIBUTOR

Purchase Order Date: _____

Purchase Order #: _____

Customer Information

Company Name: _____

Contact: _____

Street: _____

City, State & Zip: _____

Phone #: _____

Fax #: _____

Email: _____

Customer #: _____

Shipping Information

Ship To: _____

Attention: _____

Street: _____

City, State & Zip: _____

Request Date: _____

Ship via: _____

Vehicle Information

Make: _____

Model: _____

Model Year: _____

Transmission Spec: _____

Order Information

Line	Qty	Pos. #	ZF Part #	Description / Cust. Ref. No.
1				
2				
3				
4				
5				
6				
7				
8				
9				
10				
11				
12				
13				
14				
15				
16				
17				
18				
19				
20				

Signature: _____

Date: _____



Notes

ZF Industries, Inc.
Passenger Car Transmissions
Vernon Hills, IL 60061
Phone +1 847 478-6868
Fax +1 847 634-0221
Email passcarinfo@zf.com
Web www.zf-group.com



Driveline and Chassis Technology